



Collection: S20

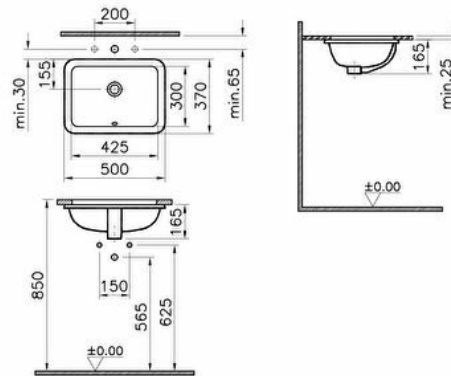
Technical specifications

Colour	White
Height	165
Width	500
Depth	370
Designer	Noa
Finish	Hygiene
Material	Hygiene

Overflow Hole	With Overflow
Packaged Product	500X205X395
Sizes (WxDxH)	
Certificate	CE
Body Material	VC- Vitreous China
Countertop Usage	Undercounter
Design Shape	Rectangular
Washbasin	
Marketing Measure (cm)	50X37 CM

Overflow Hole Detail	With Overflow
Tap Hole Options	Without Tap Hole
Ceramic Sanitaryware	
Guarantee	10
Drainer	Not included
Syphon	Syphon Not Included

2A technical drawing

**Technical specifications**

Colour: White **Height:** 165 **Width:** 500 **Depth:** 370 **Designer:** Noa **Finish:** Hygiene **Material:** Hygiene **Overflow Hole:** With Overflow **Packaged Product Sizes (WxDxH):** 500X205X395 **Certificate:** CE **Body Material:** VC- Vitreous China **Countertop Usage:** Undercounter **Design Shape Washbasin:** Rectangular **Marketing Measure (cm):** 50X37 CM **Overflow Hole Detail:** With Overflow **Tap Hole Options Ceramic Sanitaryware:** Without Tap Hole **Guarantee:** 10 **Drainer:** Not included **Syphon:** Syphon Not Included