



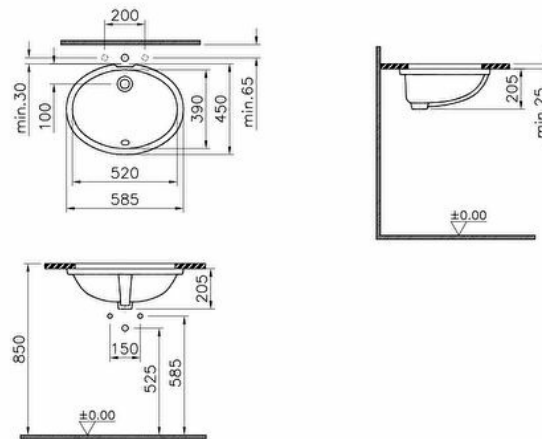
Collection: S20

**Technical specifications**

<b>Colour</b>	White
<b>Height</b>	205
<b>Width</b>	585
<b>Depth</b>	450
<b>Designer</b>	Noa
<b>Finish</b>	Hygiene
<b>Material</b>	Hygiene

<b>Overflow Hole</b>	With Overflow
<b>Packaged Product</b>	600X240X470
<b>Sizes (WxDxH)</b>	
<b>Certificate</b>	CE
<b>Body Material</b>	VC- Vitreous China
<b>Countertop Usage</b>	Undercounter
<b>Design Shape</b>	Oval
<b>Washbasin</b>	
<b>Marketing Measure (cm)</b>	60X45 CM

<b>Overflow Hole Detail</b>	With Overflow
<b>Tap Hole Options</b>	Without Tap Hole
<b>Ceramic Sanitaryware</b>	
<b>Guarantee</b>	10
<b>Drainer</b>	Not included
<b>Syphon</b>	Syphon Not Included

**2A technical drawing****Technical specifications**

**Colour:** White **Height:** 205 **Width:** 585 **Depth:** 450 **Designer:** Noa **Finish:** Hygiene **Material:** Hygiene **Overflow Hole:** With Overflow **Packaged Product Sizes (WxDxH):** 600X240X470 **Certificate:** CE **Body Material:** VC- Vitreous China **Countertop Usage:** Undercounter **Design Shape Washbasin:** Oval **Marketing Measure (cm):** 60X45 CM **Overflow Hole Detail:** With Overflow **Tap Hole Options Ceramic Sanitaryware:** Without Tap Hole **Guarantee:** 10 **Drainer:** Not included **Syphon:** Syphon Not Included