



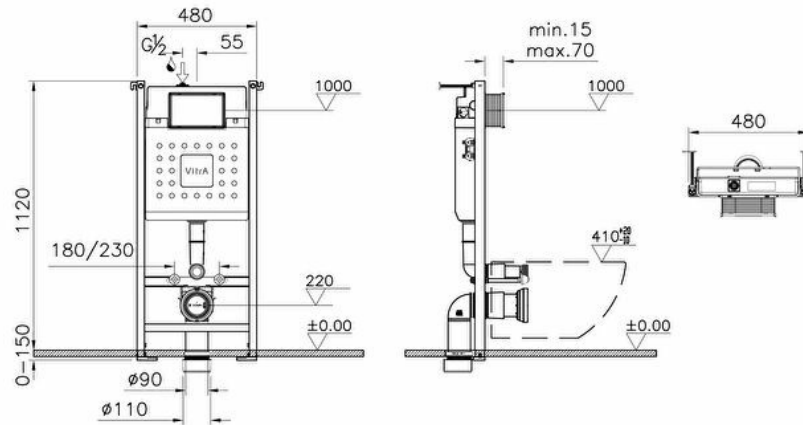
Collection: Core

Technical specifications

Colour	No Color
Height	1120
Width	480
Depth	132
Certificate	WRAS
Operating Pressure	Min:0.5-Max:10Recommended(1-5)

Mounting type	Pre-Wall Drywall
Water Inlet Detail (REZ ICTKM)	Top
Body Material	Plastic
Large Flush Volume, Adjustable Range	6
Small Flush Volume, Adjustable Range	3
Packaged Product Sizes (WxDxH)	1152X170X560
Guarantee	10

2A technical drawing



Technical specifications

Colour: No Color **Height:** 1120 **Width:** 480 **Depth:** 132 **Certificate:** WRAS **Operating Pressure:** Min:0.5-Max:10Recommended(1-5)

Mounting type: Pre-Wall Drywall **Water Inlet Detail (REZ ICTKM):** Top **Body Material:** Plastic **Large Flush Volume, Adjustable**

Range: 6 **Small Flush Volume, Adjustable Range:** 3 **Packaged Product Sizes (WxDxH):** 1152X170X560 **Guarantee:** 10