



Collection: Minimax S

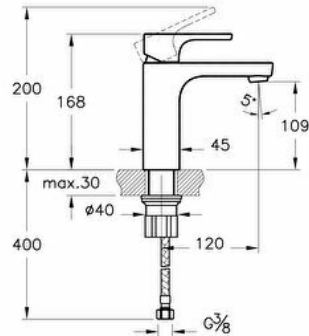
### Technical specifications

<b>Colour</b>	Chrome
<b>Height</b>	97
<b>Width</b>	50
<b>Depth</b>	124
<b>Designer</b>	VitrA Design Team
<b>Finish</b>	Chrome
<b>Guarantee</b>	10

<b>Material</b>	Chrome
<b>Mixing Capability with Air</b>	Yes
<b>Mounting type</b>	Countertop
<b>Packaged Product Sizes (WxDxH)</b>	190X170X75
<b>Spout Height</b>	45000
<b>Spout Length</b>	87
<b>Certificate</b>	REACH
<b>Aerator</b>	Hidden

<b>Badge Diameter</b>	D50
<b>Body Material</b>	Brass
<b># of Water Inlet</b>	Double Inlet
<b>Hole Quantity</b>	2
<b>Number of Functions</b>	6
<b>Operating Pressure</b>	Min:0.5-Max:10Recommended(1-5)
<b>Outlet Turning Angle</b>	Fixed

## 2A technical drawing

**Technical specifications**

**Colour:** Chrome **Height:** 97 **Width:** 50 **Depth:** 124 **Designer:** VitrA Design Team **Finish:** Chrome **Guarantee:** 10 **Material:** Chrome  
**Mixing Capability with Air:** Yes **Mounting type:** Countertop **Packaged Product Sizes (WxDxH):** 190X170X75 **Spout Height:** 45000 **Spout Length:** 87 **Certificate:** REACH **Aerator:** Hidden **Badge Diameter:** D50 **Body Material:** Brass **# of Water Inlet:** Double Inlet **Hole Quantity:** 2 **Number of Functions:** 6 **Operating Pressure:** Min:0.5-Max:10Recommended(1-5) **Outlet Turning Angle:** Fixed