

VitrA



User Manual and Assembly Instruction

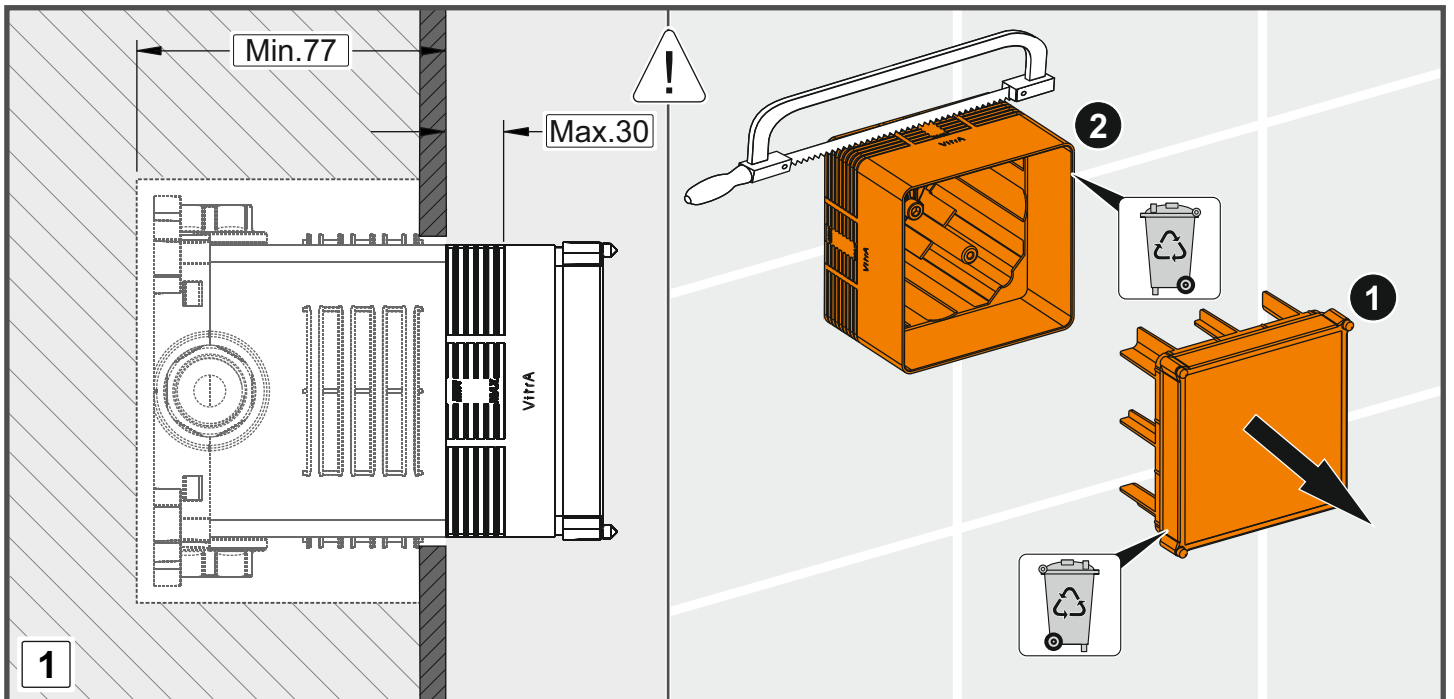
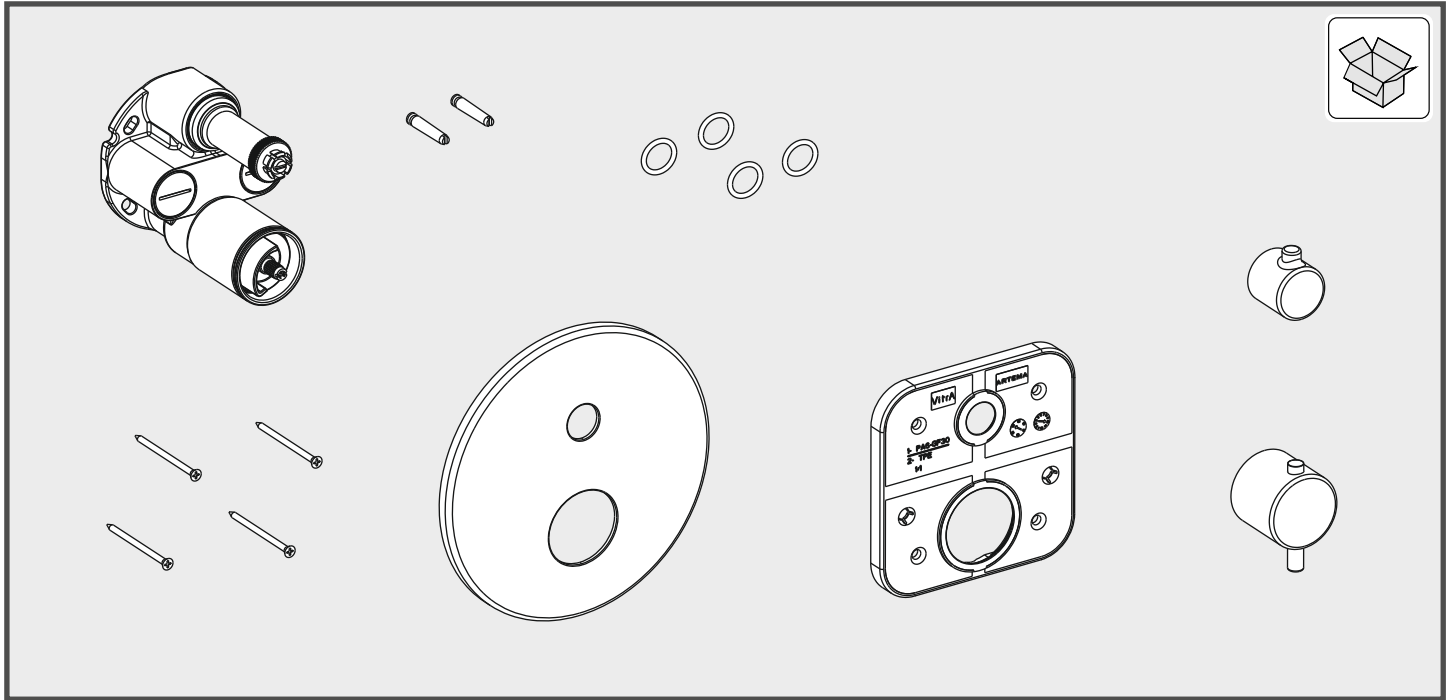
Benutzerhandbuch und Montageanleitung

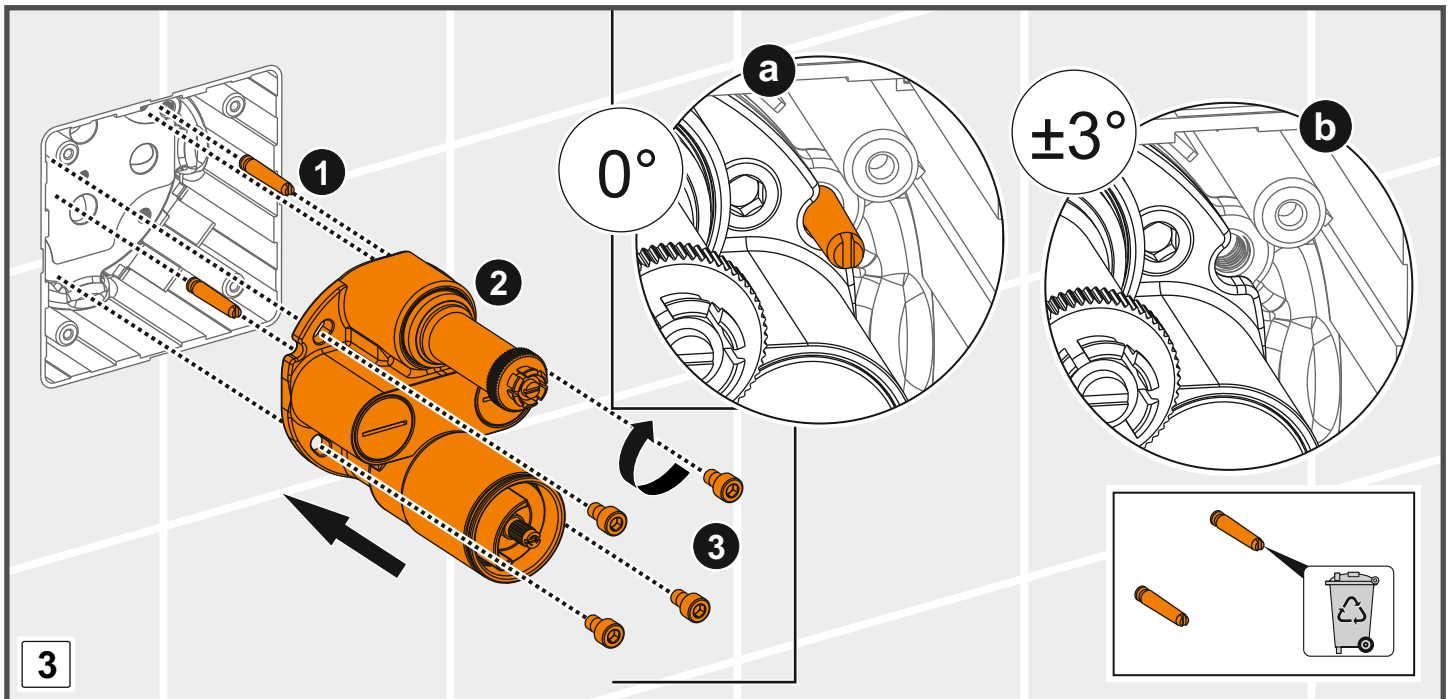
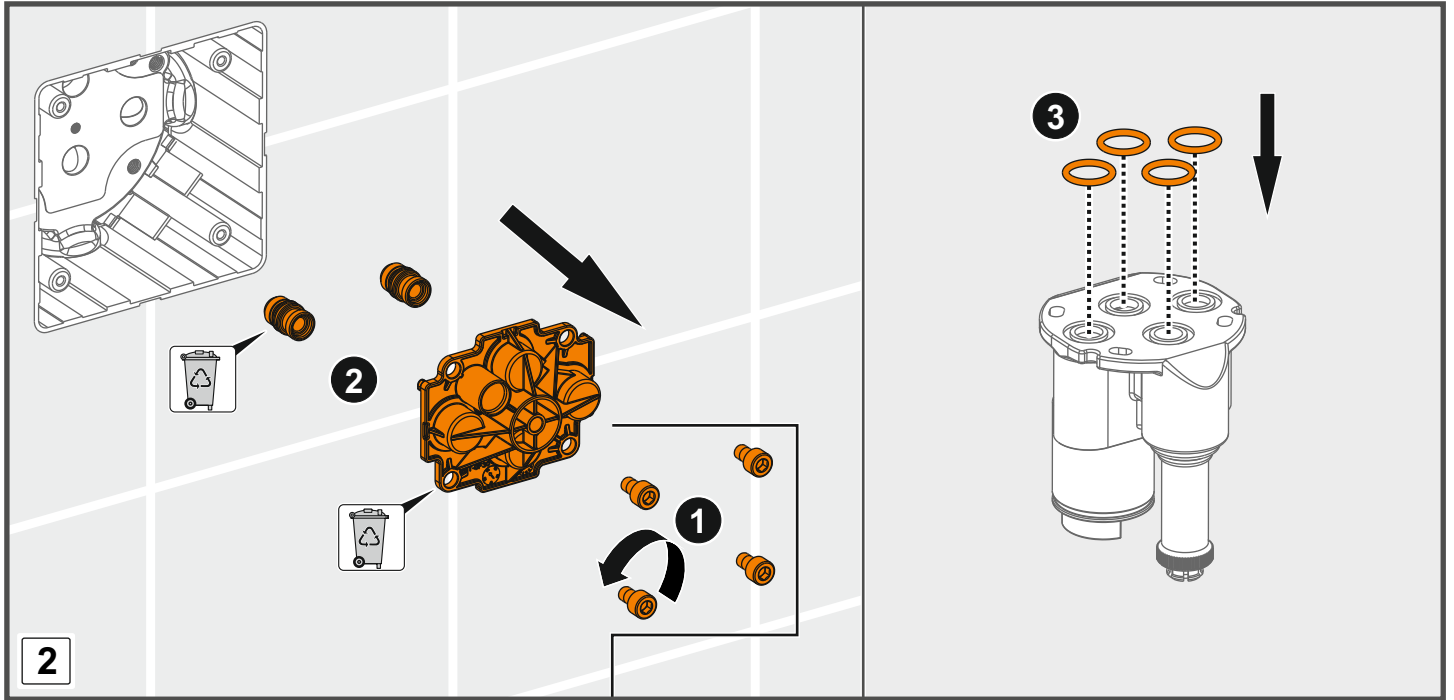
Manuel d'utilisation et instructions de montage

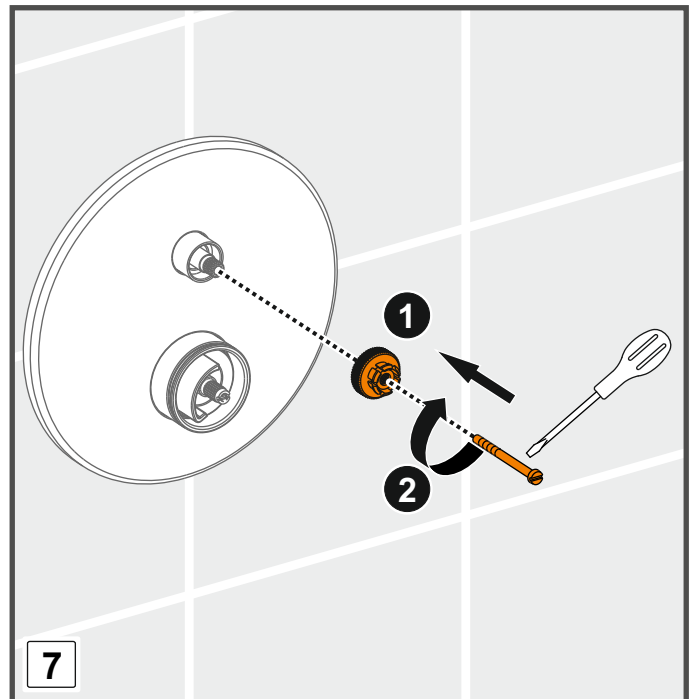
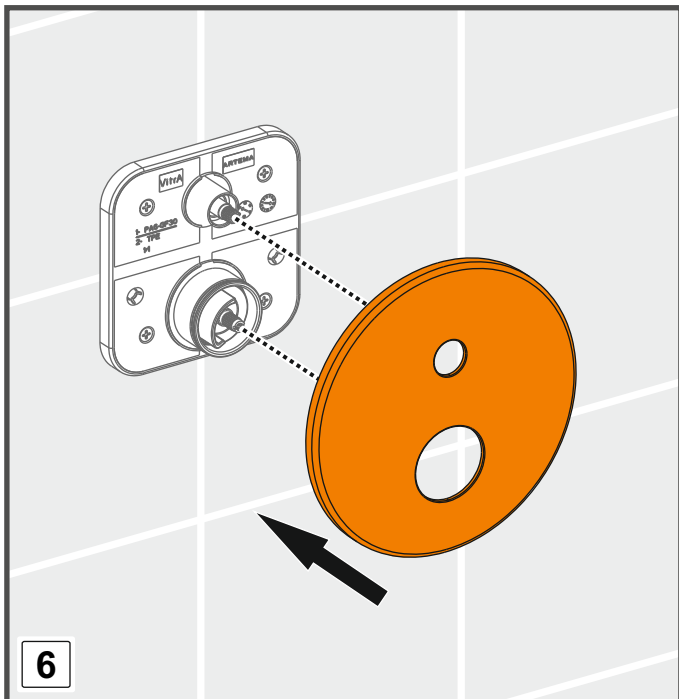
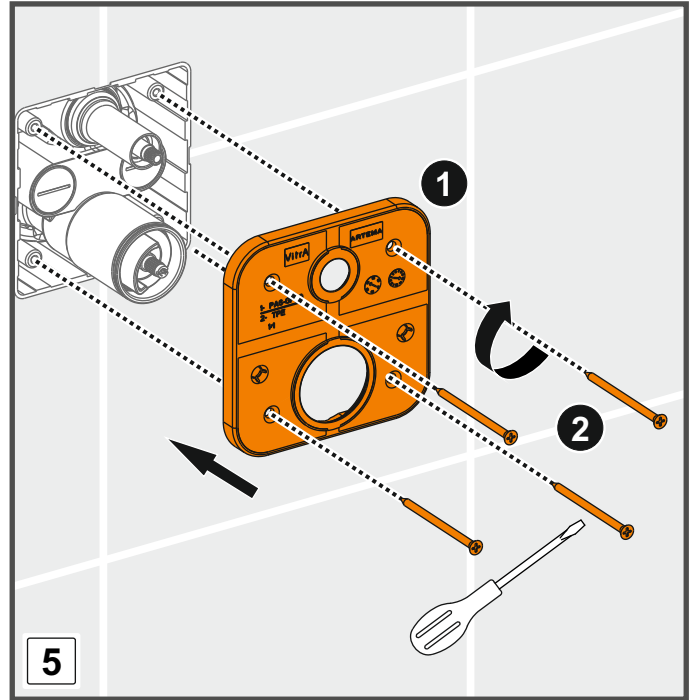
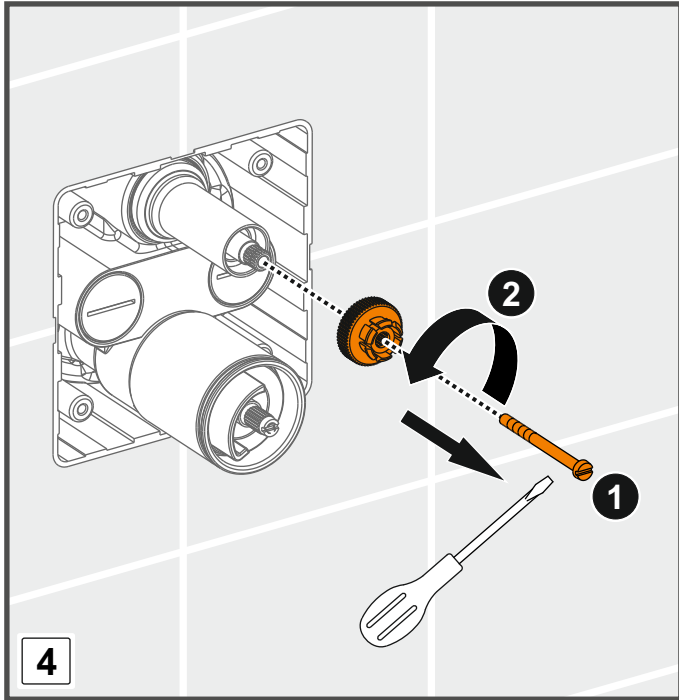
Руководство пользователя и инструкция по сборке

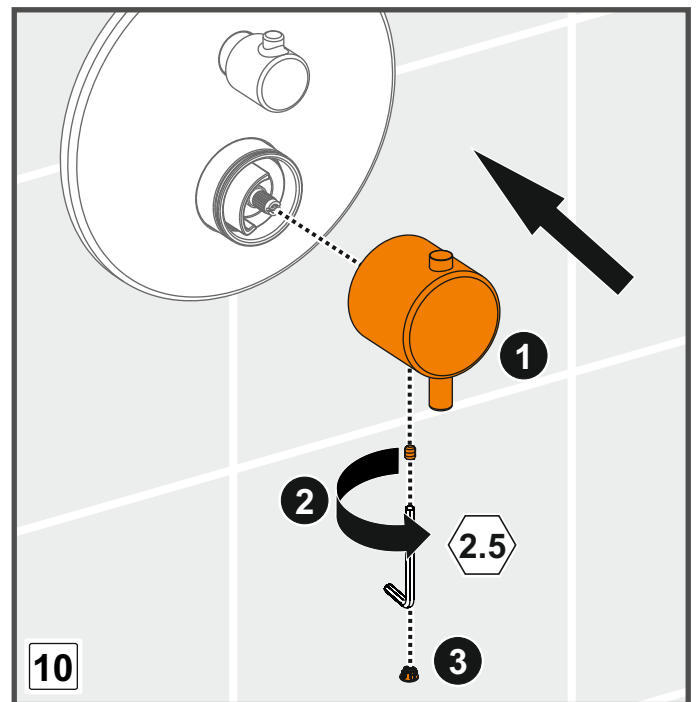
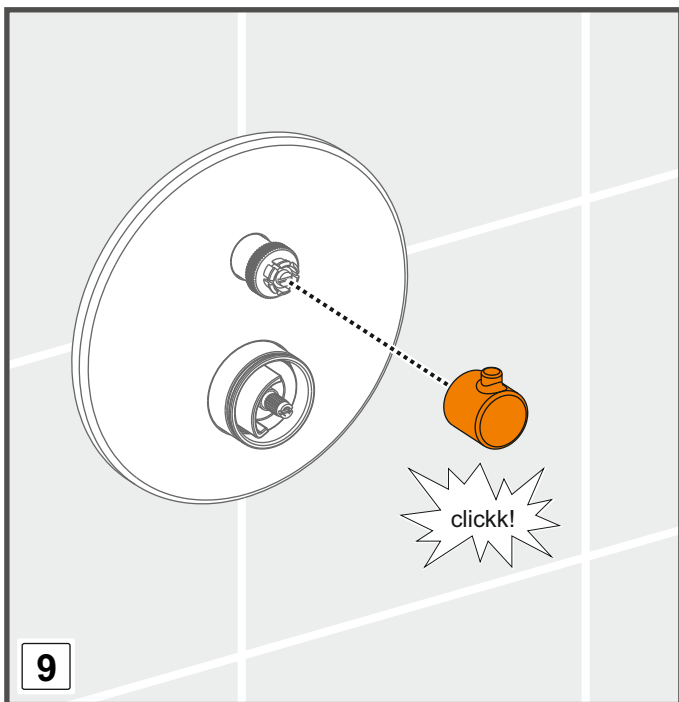
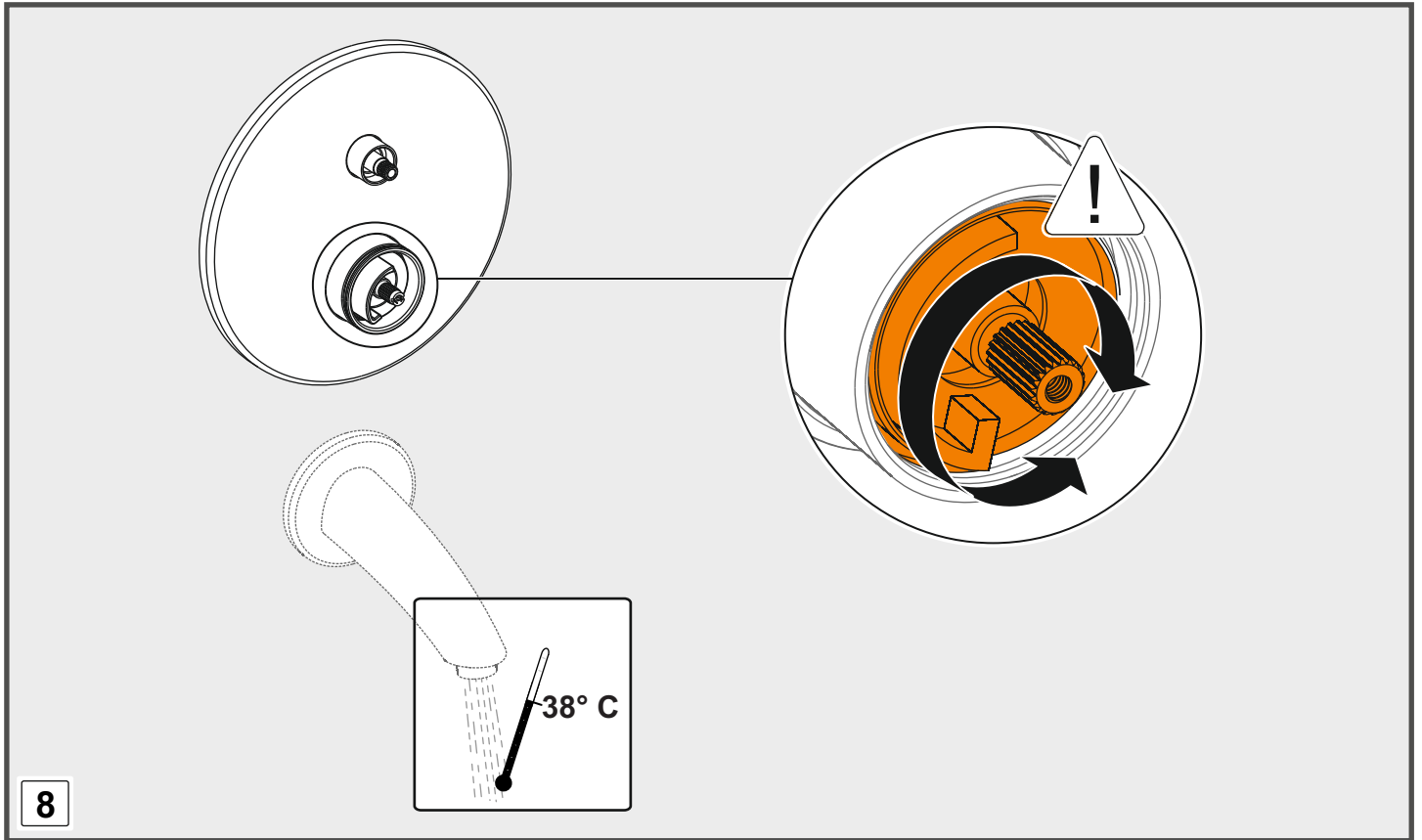
دليل المستخدم وتعليمات التجميع

Manuale utente e istruzioni di montaggio











PRODUCT FEATURES

Thermostatic bath and shower faucets adjust the water to the desired temperature and ensure its flow at this temperature. This ensures that there is no risk of scalding with hot water due to problematic water adjustment and temperature changes in the installation. If the water is out, the cartridge inside the product is automatically locked and prevents water from flowing out of the product. This completely eliminates the risk of scalding with hot water.

Thanks to the flywheel with a 90° opening - closing shaft, you can adjust the water amount while keeping the water temperature constant.

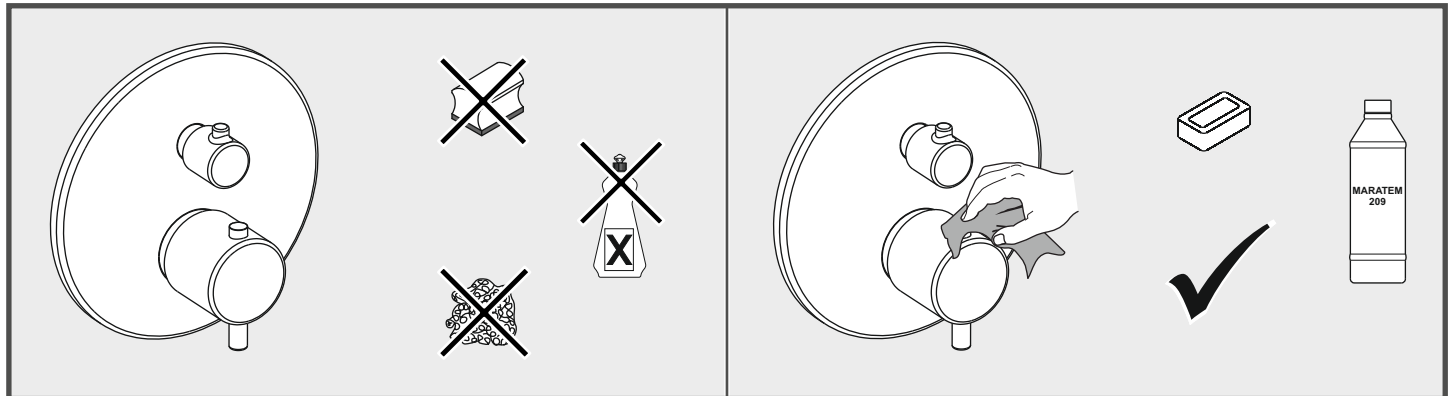
VitrA thermostatic battery models, consist of four models consisting of built-in shower - bath and wall - mounted shower - bath. All models are comfortable and easy to use and are used in the same way. The faucets have a button on the flywheel where the cartridge is located. This button is where the temperature is set to 38° C in the factory. When you desire a higher temperature, simply push the button and turn the flywheel in the direction of the arrow. Although operation is easy for adults, it is safe enough to prevent children and the elderly from accidentally scalding themselves. The thermostatic cartridge is manufactured to provide a maximum hot water temperature of 45° C. The special alloy metal inside the thermostatic cartridge moves instantly even at sudden water pressure changes, allowing water to flow at the desired temperature.

Before mounting the wall-mounted thermostatic bath and shower faucets, be sure that check-valves are installed on the nipples. If the check-valves are missing, do not mount your faucet in this way.

The built-in thermostatic bath and shower faucet has embedded version of check-valves.

In order to operate the thermostatic batteries efficiently, the dynamic pressure in the hot and cold water infrastructure has to be at least 1 bar. The difference of pressure should not exceed 0.5 bar between hot and cold water.

	P	P bar	 max.10 min.0,5	
	T	°C	 max.80	



Thank you for preferring Vitra branded product. We hereby strongly advise you to read the present manual thoroughly before procuring installation of your product and maintain as a reference guide for any future references.

1. Points to be taken into consideration before and during assembly

- 1- The dimensions of the product to be assembled as specified in the technical catalogue should be taken into consideration when preparing the infrastructure before the assembly. Please contact with and request from your vendor should you need such technical data. Make sure that the installation spouts has adequate dimensions in order to enable proper installation of, and avoid damages to, the faucet.
- 2- Any and all dirt remaining inside the piping and fittings should be flushed prior to connecting the faucets to the sanitary installation at the new constructions and spaces where the installation is refurbished.
- 3- The faucets must be stored at indoor spaces in order to avoid cracking of the faucet due to freezing water. The water inside the installation should be completely drained as a measure against the frost hazard at the new installation for the duration elapsing between installation flushing and commissioning of the products. Likewise the main water intake should be sealed and the water inside the installation should be completely drained also in cases where the faucets will remain unused for prolonged durations. Our faucets are designed to be used indoors.
- 4- Do not leave your faucet installed at buildings under construction for prolonged periods. Calcium oxide and similar chemicals contained in the mortar, lime and cement based materials might damage your faucet by acting on the surface in combination with the humidity of the air. If the faucet is to remain at the construction environment for long duration, please protect the product by wrapping inside a layer of cloth bag and then a layer of plastic bag.
- 5- A filter valve must be installed at the main installation inlet and the inlet to the flat in order to protect the products from sand and similar foreign particples carried by the installation and the water network. By virtue of such valve, it would be possible to preclude the failures that might be caused by the particles such as sand, mud cotton, gravel, etc. carried by the installation.
- 6- The auxiliary products either provided together with the product, or recommended in the instructions for assembly must be used for assembly of the product.
- 7- Spanner wrenches covered with plastics should be used at the time of assembly in order to avoid scratching of the products. If plastic wrench will not be used, then the part to be assembled should be protected by covering the part with a thick piece of cloth.
- 8- Wrenches must not be used for assembling the flexible connection hoses to the body.
- 9- After connecting your faucets to the installation, turn the valve on in order to observe whether there is any leaking spot at the connection point of the faucet. If there is any leak at the connection points, then perform adequate assembly in order to seal the connection. Do not use the faucet before conducting any tightness check.
- 10- In cases where constant water quality cannot be ensured, filtered interim taps must be installed to each faucet intake, wherever possible. The filters of the interim taps should be cleaned periodically.
- 11- The water intake temperature to the faucets is max. 75°C according to the standards. Hot water with temperature exceeding such value must not be used in terms of safety.
- 12- After any water cut-off, the air trapped inside the pipes might become compressed and exceed the standard installation pressure during restoration of water to the system. The most effective solution for protecting the products from such impact is to install a pressure-reducing valve on the main intake.
- 13- In order to ensure smooth operation of the product, the installation pressure and water temperature values must be in the range of limits specified in the instructions for assembly.
- 14- The devices connected to the water mains with detachable hose assemblies should be used with the new hose sets supplied. Old hose sets should not be reused.
- 15- Class III devices powered by a detachable power supply unit must only be used with the power supply unit supplied with this device.

2. Points to be taken into consideration during shipment-storage

- 1- The products must be put under adequate protection and protected against impacts during shipment and storage. In case the products are to be stored and kept prior to assembly, then indoor stockpiling areas must be formed where the ambient temperature should not fall under 15°C.
- 2- The packed products must be protected from circumstances such as rainfall, water humidity, dust and fire, which might damage the product and product packing.
- 3- The products should not be over - stacked on each other and the product packing must not be crushed. Precautions should be adopted against tilting and falling.

3. Recommendations for use and maintenance

- 1- Liquids with acidic content and lime removers, hydrochloric acid and dust scrubbers bleach, detergents with sulfuric acid, nitric acid, hydrochloric acid and other acids and descaling/lime remover, chlorine based bleaching agents vinegar and acetic acid must not be used for cleaning purposes as such products damage the coating of the product. In case such type of chemicals is used at the space where your faucet is installed for general housekeeping purposes, then the medium must be ventilated thoroughly and the faucets must be protected against the vapor of such chemicals. Materials with abrasive / scratching effects such as steel wool, hard cleaning sponge, etc. should not be used when cleaning your faucet. The faucet surfaces must be cleaned and dried using a soft cloth and soap water.
- 2- The faucets with smooth surfaces should be cleaned and dried more frequently as such faucets will keep more accumulated water compared to the faucets with inclined surfaces.

3- The aerators located at the spout of the faucets enable water saving by providing a compact and smooth flow by mixing water with a certain rate of air while trapping the fine particles carried by installation and/or arising from water by means of special strainers. Therefore, removing and cleaning the pores of the aerators on monthly basis should prevent reduction at the water flow due to clogging. Attention must be paid to avoid damaging the parts and the installation sequence of the parts during cleaning and reassembly of the aerator.

4- In order to prevent clogging at the hand showers and shower heads with easy cleaning feature due to calcification, it is possible to prevent deformation at the product due to calcification by cleaning the sprinkler sections manually.

5- Use of hand shower spirals in such manner to cause excessive twist or spinning might damage the product. Do not apply instant and/or excessive pulling force to the hand shower spirals. Do not step onto the spirals.

6- The painted products must not be exposed to ultraviolet and sunlight for prolonged periods as such exposure might cause yellowing/discoloration.

7- Some technical features specified and clarified in the instructions for assembly might not be valid for every faucet series.

8- The product should not be used other than for its functions. Clinging to the outlet ends of built-in products, hanging buckets on the sink or bathroom outlet ends, etc.

9- Cleaning agents or chemicals should not be stored with the products, e.g. under the sink cabinet, otherwise evaporation may damage the products.

10- Generator supply may cause fault in product functions as it may cause sudden fluctuations in voltage. The product is not suitable for permanent generator use except for the use of generators in power cuts. It needs to be supplied with mains electricity so that the product functions properly.

11- The product meets the requirements of the electromagnetic compatibility standard with its original components. Extension of the adapter cable from these components for any reason makes the product vulnerable to electromagnetic interference and prevents its functioning properly. The adapter should be used with the original seal.

12- This device can be used by children 8 years of age and older and people with reduced physical, sensory or mental capabilities or those who lack experience and knowledge, provided they have been given supervision or instruction regarding the safe use of the device and understand the hazards involved.

13- Children should not play with the device. Cleaning and user maintenance should not be conducted by children without supervision.

14- The power supply cable cannot be replaced. If this cable is damaged, the device must be discarded.

4. Warranty conditions

1- Warranty term starts on the date of delivery of the product and this term is 10 (ten) years for faucets and 5 (five) years for shower systems. Warranty term of the electronic units of the electronic faucets that are included in the product range is 2 (two) years and warranty term of special coatings (black, gold, copper, brushed nickel, rose gold etc.) is 5 (five) years.

2- The entire product, including all parts, is under the warranty coverage by our firm against production defects.

3- The defects arising from assembly and use of the product contrary to the provisions stipulated in the assembly instructions and instructions for use and from intervention for maintenance / repair purposes are not covered under the warranty scope.

5. Matters that are not covered by the warranty

The matters set forth below are not covered by the warranty.

1- Defects arising from use of the goods (product) as contrary to the provisions stipulated in the technical catalogue, assembly instructions and instructions for use.

2- The defects and failures at the product due to defective assembly, maintenance repair and dismantling performed by unauthorized persons.

3- Failures caused by not using the auxiliary products (interval tap with filter....) that are supplied with the product or recommended in the assembly instructions and user manuals during the assembly of the product.

4- The surface defects and other damages arising from failure to observe the storage conditions and prolonged storage at the construction yard and during shipment after delivery of the good to the customer.

5- Deformations that might occur during restoration works carried out at the area of usage.

6- Impairments on the coating and cartridge of the product as caused by insufficient ventilation and steam of corrosive chemicals and similar substances in the environment.

7- Failure and damages caused by natural disasters such as fire, flood earthquake etc.

8- Failure to observe the rules set forth in the assembly instructions and instructions for use during cleaning and servicing works performed by the customer.

9- Defects arising from failure to use original VitrA spare parts and additions or adaptations at the product without VitrA's knowledge and approval.

10- Breakdowns caused by the out-of-standard conditions from the general water network (sand, gravels and particles etc. coming from the installation due to not using interval taps for connection) and damaging the product. Problems caused by piping and installation or damages caused by calcification.

11- Damages arising from supply of water to the system outside the pressure and temperature range recommended in the standards, and from icing and frosting.

12- Failure and damages caused on the electronic products due to sudden changes of voltages.

13- Defects arising from any and all kinds of misuse by the customer, even if not specified herein.

14- Defects arising from the use of applications in electronic taps such as cable cutting, connecting cable directly to the power line via cutting plug, using different type of battery as contrary to original component of the product.

vielen Dank, dass Sie sich für ein Vitra Produkt entschieden haben. Bitte lesen Sie die folgenden Hinweise vor der Montage Ihres Produkts sorgfältig durch und bewahren Sie diese für ein späteres Nachlesen auf.

1. Was Sie vor und während der Montage beachten sollten:

- 1- Bitte berücksichtigen Sie bei Ihren Vorbereitungsarbeiten zur Montage die im Technikkatalog genannten Abmessungen des zu montierenden Produkts. Wenden Sie sich bitte an Ihre Verkaufsstelle, wenn Ihnen die technischen Daten nicht vorliegen sollten. Ihre Verkaufsstelle wird Ihnen die Daten gerne aushändigen. Bitte stellen Sie sicher, dass die Anlagenrohre die richtigen Abmessungen haben, damit Sie die Armatur in geeigneter Weise montieren können und Beschädigungen der Armatur vermieden werden.
- 2- Spülen Sie sämtliche Schmutzreste in Röhren und Anschlüssen aus, bevor Sie die Armatur als Erstausrüstung einer sanitären Anlage oder Ersatz für bereits vorhandene Armaturen montieren.
- 3- Lagern Sie die Armatur in Innenräumen, um Risse durch gefrierendes Wasser zu vermeiden. Um die Armatur im Zeitraum zwischen Lieferung und Inbetriebnahme des Produkts vor Frostgefahr zu schützen, sollten eventuelle Wasserrückstände in der Anlage vollkommen getrocknet sein. Bitte versiegeln Sie ebenso den Hauptwasserzulauf, und stellen Sie bei längerer Nichtbenutzung der Armatur sicher dass Wasserrückstände in der Anlage vollkommen getrocknet sind. Unsere Armaturen sind für den Gebrauch in Innenräumen bestimmt.
- 4- Montieren Sie Ihre Armatur nicht für einen längeren Zeitraum in Baustellenbereichen. Calciumoxid und ähnliche chemische Stoffe, die in Materialien auf Mörtel-, Kalk- und Zementbasis enthalten sind, können mit der Feuchtigkeit in der Luft reagieren und die Armatoberfläche angreifen. Bitte umwickeln Sie die Armatur zum Schutz mit einem Stoffbeutel über den Sie anschließend einen Kunststoffbeutel stülpen, wenn das Produkt für einen längeren Zeitraum in einer Baustellenumgebung verbleiben muss.
- 5- Zum Schutz des Produkts vor Sand und ähnlichen Fremdkörpern, die über Anlagen und Wasserrohre mitgetragen werden, ist am Hauptzufluss und am Wohnungszufluss ein Filterventil zu montieren. Durch einen derartigen Filter werden mögliche Fehlfunktionen vermieden, die durch in der Anlage mittransportierte Partikel wie Sand, Schlamm, Baumwolle, Kies etc. verursacht werden können.
- 6- Zur Montage des Produkts ist das mitgelieferte oder in der Anleitung empfohlene Zubehör zu verwenden.
- 7- Um Kratzschäden am Produkt zu vermeiden sollten für die Montage kunststoffbeschichtete Hakenschlüssel verwendet werden. Schützen Sie das zu montierende Teil mit einem dicken Stoffstück, wenn diese nicht verfügbar sein sollten.
- 8- Zur Montage der flexiblen Anschlussschläuche an den Armaturkörper dürfen keine Schraubenschlüssel verwendet werden.
- 9- Drehen Sie nach Anschluss Ihrer Armatur an die Sanitäreanlage den Wasserhahn auf, und prüfen Sie, ob der Anschluss der Armatur keine undichten Stellen aufweist. Führen Sie bei undichten Stellen entsprechende Montagearbeiten durch, bis der Armaturanschluss dicht schließt. Verwenden Sie die Armatur erst, nachdem Sie sich von der Dichtigkeit des Anschlusses überzeugt haben.
- 10- In Fällen, in denen keine konstante Wasserqualität gewährleistet ist, sind nach Möglichkeit an beiden Armaturzuflüssen Zwischenfilter zu montieren. Die Zwischenfilter müssen regelmäßig gereinigt werden.
- 11- Die Wasserzuflusstemperatur der Armatur darf gemäß geltenden Normen maximal 75°C betragen. Aus Sicherheitsgründen darf kein Heißwasser mit höheren Temperaturen verwendet werden.
- 12- Wenn die Wasserversorgung unterbrochen war, kann es sein, dass Luft in den Wasserrohren gepresst und das Wasser bei erneuter Wiederherstellung der Wasserversorgung mit einem höheren als dem normalen Anlagendruck fließt. Die wirkungsvollste Lösung zum Schutz des Produkts vor eventuellen Folgen ist der Einbau eines Wasserdruckminderers am Hauptzufluss.
- 13- Um eine reibungslose Funktion des Produkts zu gewährleisten, müssen Anlagendruck und Wassertemperatur den in der Montageanleitung genannten Werten entsprechen.
- 14- Die mit abnehmbaren Flexschläuchen an das Wassernetz angeschlossenen Geräte, sollten mit den mitgelieferten neuen Flexschläuchen verwendet werden. Alte Flexschläuche sollten nicht wiederverwendet werden.
- 15- Geräte der Klasse III, die von einem abnehmbaren Netzteil gespeist werden, dürfen nur mit dem mit diesem Gerät gelieferten Netzteil verwendet werden.

2. Was Sie während Transport und Lagerung beachten sollten:

- 1- Bei Transport und Lagerung sind die Produkte in geeigneter Weise zu verpacken und vor Schäden zu bewahren. Müssen die Produkte vor der Montage zwischengelagert werden, sollte dies in Innenraumlagerbereichen geschehen, in denen die Umgebungstemperatur nicht unter 15°C fällt.
- 2- Die verpackten Produkte müssen in jedem Falle vor Bedingungen wie Regen, Wasser Feuchtigkeit, Staub und Feuer geschützt werden, da diese Produkt und Produktverpackung beschädigen können.
- 3- Es sollten nicht zu viele Produktpackungen gestapelt werden, damit die Verpackungen nicht gedrückt werden. Bitte treffen Sie Vorkehrungen gegen Kippen und Fallen.

3. Gebrauchs - und Pflegehinweise

- 1- Zum Reinigen dürfen weder säurehaltige Flüssigkeiten oder Kalkentferner, Salzsäure oder Nasswäscher oder Bleichmittel noch Reinigungsmittel mit Schwefelsäure, Salpetersäure, Salzsäure und anderen Säuren sowie Entkalker / Kalkentferner, Bleichmittel auf Chlorbasis, Essig oder Ethansäure verwendet werden, da diese die Produktbeschichtung beschädigen können. Sollten derartige chemische Stoffe in den Räumlichkeiten, in denen die Armaturen installiert sind, als haushaltsübliche Reinigungsmittel zum Einsatz kommen, müssen die Räumlichkeiten gründlich gelüftet und die Armaturen vor dem Nebel derartiger Chemikalien geschützt werden. Materialien mit abrasiver / kratzender Wirkung wie Stahlwolle, harte Reinigungsschwämme etc. sind zur Reinigung Ihrer Armatur ungeeignet. Reinigen und trocknen Sie die Armatur bitte mit einem weichen Tuch und Seifenlauge.

2- Armaturen mit waagerechten Oberflächen sollten häufiger gereinigt und trocken gerieben werden als Armaturen mit geneigten Oberflächen, da dort mehr Wasserrückstände stehen bleiben.

3- Die Belüfter am Armaturausfluss sorgen für Einsparungen beim Wasserverbrauch: Sie gewährleisten einen kompakten, gleichmäßigen Wasserfluss, da sie Wasser mit einer bestimmten Luftmenge mischen und Feinpartikel, die von der Anlage mitgetragen werden und / oder durch Spezialfilter herausgefiltert werden, zurückhalten. Entfernen und reinigen Sie die Belüfterporen deshalb in monatlichem Abstand, um eine Verringerung des Wasserflusses durch Verstopfungen zu verhindern. Achten Sie bei der Reinigung und Wiederausbausatz der Belüfter darauf, die Teile in der richtigen Reihenfolge zusammenzubauen und keine Teile zu beschädigen.

4- Um zu verhindern, dass sich Handbrausen und Duschköpfe durch Kalkrückstände zusetzen, können die Teile der Brause einfach manuell gereinigt werden.

5- Achten Sie darauf, dass sich der Schlauch der Handbrause nicht zu stark verdreht oder aufwickelt. Dies kann zu Produktbeschädigungen führen. Ziehen Sie nicht mit übermäßiger Kraft am Schlauch der Handbrause. Treten Sie nicht auf den Schlauch.

6- Lackierte Produkte dürfen UV - oder Sonnenlicht nicht über einen längeren Zeitraum ausgesetzt sein, da dies zum Vergilben / Ausbleichen führen kann.

7- Einige technische Merkmale, die in der Montageanleitung genannt werden, gelten nicht für alle Armaturserien.

8- Das Produkt sollte nur für seine Funktionen verwendet werden. Festhalten an den Auslassenden von Einbauprodukten, Aufhängen von Eimern am Waschbecken oder Badezimmer-Auslassenden usw.

9- Reinigungsmittel oder Chemikalien sollten nicht zusammen mit den Produkten gelagert werden, z.B. in einem Unterschrank, sonst kann die Verflüchtigung die Produkte beschädigen.

10- Die Generatorversorgung kann zu Fehlfunktionen in den Produktfunktionen führen, da es zu plötzlichen Spannungsschwankungen führen kann. Das Produkt ist nicht für den permanenten Generatorbetrieb geeignet, mit Ausnahme der Verwendung von Generatoren in Stromausfällen. Damit das Produkt ordnungsgemäß funktioniert muss es mit Netzstrom versorgt werden.

11- Das Produkt erfüllt die Anforderungen der elektromagnetischen Verträglichkeit mit den Originalkomponenten. Eine Verlängerung des Adapterkabels aus diesen Komponenten aus irgendeinem Grund macht das Produkt anfällig für elektromagnetische Störungen und verhindert, dass es ordnungsgemäß funktioniert. Der Adapter sollte in seinem originalen Zustand benutzt werden.

12- Dieses Gerät kann von Kindern ab 8 Jahren, Personen mit verminderten körperlichen, sensorischen bzw. geistigen Fähigkeiten sowie Personen mit mangelnden Erfahrungen bzw. Kenntnissen nur verwendet werden, wenn sie beaufsichtigt werden oder Anweisungen zur sicheren Verwendung des Geräts erhalten haben.

13- Das Gerät ist kein Spielzeug. Das Gerät sollte von Kindern nicht ohne Aufsicht gereinigt oder gewartet werden.

14- Das Netzkabel kann nicht ausgetauscht werden. Sollte dieses Kabel beschädigt sein, muss das Gerät verschrottet werden.

4. Garantiebedingungen

1- Die Garantiezeit beginnt mit dem Lieferdatum des Produkts und beträgt 10 (zehn) Jahre für Armaturen und 5 (fünf) Jahre für Duschesysteme. Die Garantiezeit der elektronischen Einheiten in den elektronischen Armaturen unserer Produktpalette beträgt 2 (zwei) Jahre und die Garantiezeit von Sonderbeschichtungen (Schwarz, Gold, Kupfer, gebürstetes Nickel, Roségold usw.) beträgt 5 (fünf) Jahre.

2- Die Garantie gilt für Produktionsmängel des gesamten Produkts einschließlich aller seiner Produktteile.

3- Mängel, die durch eine unsachgemäße Montage und Produktverwendung die nicht der Montage - und Gebrauchsanleitung entspricht, oder durch Instandhaltung / Reparaturarbeiten verursacht werden, sind von der Garantie ausgeschlossen.

5. Fälle, die von der Garantie ausgeschlossen sind:

Folgendes fällt nicht unter Garantie:

1- Mängel durch eine unsachgemäße Produktverwendung, die nicht den Bedingungen des Technikcatalogs der Montage - oder Gebrauchsanleitung entspricht.

2- Mängel und Fehlfunktionen des Produkts aufgrund einer fehlerhaften Montage, Instandhaltung Reparatur und Demontage durch nicht autorisierte Personen.

3- Mängel, die dadurch verursacht werden, dass bei der Montage des Produkts nicht die mitgelieferten bzw. die in der Montageanleitung empfohlenen Zubehörprodukte (z.B. Eckventile mit Filter) verwendet werden.

4- Oberflächenmängel und andere Beschädigungen, die nach Auslieferung des Produkts an den Kunden durch Nichtbeachtung der Lagerungsbedingungen oder der Bedingungen zur längerfristigen Lagerung auf der Baustelle oder zum Transport verursacht werden.

5- Verformungen, die durch Reparaturarbeiten am Ort der Verwendung verursacht werden.

6- Zersetzung aufgrund unzureichender Belüftung und korrosiver Chemikalien in der Umwelt aufgrund der Anwesenheit von Dampf und ähnlichen Substanzen in der Produktbeschichtung und Kartusche.

7- Mängel und Schäden durch Naturkatastrophen wie Feuer, Überschwemmung Erdbeben etc.

8- Missachtung von den in der Montage- und Gebrauchsanleitung genannten Bedingungen für vom Kunden ausgeführte Reinigungs- und Pflegearbeiten.

9- Mängel durch die Nichtverwendung von Vitra Originalersatzteilen oder durch Ergänzungen und Anpassungen des Produkts ohne Wissen und Genehmigung von Vitra.

10- Mängel, die durch nicht dem Standard entsprechenden Bedingungen des allgemeinen Wassernetzes verursacht werden, so dass beispielsweise Sand, Kies und/oder andere Partikel bei Nicht - Nutzung eines Eckventils mit Filter aus der Leitung in das Produkt gelangen. Probleme durch Rohrleitungen und Installation oder Schäden durch Verkalkung.

11- Beschädigungen durch eine Wasserversorgung der Anlage, die außerhalb der als Norm empfohlenen Druck - und Temperaturbereichs liegt, sowie durch Eis und Frost.

12- Mängel und Schäden an elektronischen Produkten, die durch plötzliche Spannungsschwankungen verursacht werden.

13- Mängel durch eine beliebige unsachgemäße Verwendung durch den Kunden, auch wenn diese hier im Einzelnen nicht aufgeführt ist.

14- Störungen, die aufgrund Abtrennens der elektronischen Gerätekabeln, Abtrennens der Anschlussstecker und direktes Verbinden mit der Stromleitung, nicht Verwenden von originalen Batterien (anstatt Verwendung von 6 Stück 1.5 V Alkali - Mangan Batterien 9 Volt Flachbatterien) entstehen.

Nous vous remercions d'avoir choisi la marque Vitra. Nous vous prions de lire attentivement cette notice avant le montage de votre produit et de conserver la notice afin de se référer comme source pour les besoins futurs.

1. Points auxquels il faut faire attention pendant et après le montage

- 1- Avant le montage lors de la préparation de l'infrastructure, il faut prendre en compte les dimensions mentionnées dans le catalogue technique des produits. Si vous avez besoin de ces informations techniques demandez à votre vendeur. Assurez-vous que les extrémités de sortie de l'installation sont de dimensions compatibles afin que l'armature soit assemblée de façon correcte à l'installation et qu'il n'y ait pas de dommages.
- 2- Pour les nouvelles constructions et les installations en rénovation, avant de raccorder l'armature à l'installation sanitaire, nettoyez les tuyaux et les éléments de raccordement avec de l'eau afin d'éliminer tous les dépôts.
- 3- Les armatures doivent être conservées dans un lieu fermé afin d'éviter les fissures dues au gel de l'eau. Pour les nouvelles installations, pour la période allant du lavage du produit et jusqu'à l'utilisation contre les risques de gel il faut supprimer complètement l'eau restée dans l'installation. L'armature est conçue pour être utilisée dans l'intérieur des bâtiments.
- 4- Ne pas laisser votre armature pendant un temps prolongé dans les bâtiments en construction. Les mortiers de construction, l'oxyde de calcium et des produits chimiques similaires dans les produits à base de ciment et de chaux au contact avec l'humidité de l'air peuvent apporter des dommages à la surface de votre armature. Si l'armature doit rester un temps prolongé au sein de la construction, entourer l'armature avec un textile et au-dessus un sac en plastique afin de protéger votre produit.
- 5- Afin de protéger les produits contre le sable et les éléments similaires pouvant venir du réseau d'eau il faut poser des vannes filtrantes à l'entrée de l'installation principale et aux entrées des appartements. De cette façon les vannes pouvant être dues aux particules comme le sable, la boue, pierres etc.. seront prévenues.
- 6- Lors du montage du produit il faut utiliser les matériels délivrés avec le produit ou conseillés dans les instructions de montage.
- 7- Pour ne pas rayer le produit lors du montage il faut utiliser des clés avec un embout en plastique. Si vous n'utilisez pas une clé avec un embout en plastique les pièces de raccordement doivent être protégées en couvrant avec un tissu épais.
- 8- Ne pas utiliser de clé lors de l'assemblage des flexibles à la structure.
- 9- Après le raccordement de l'armature à l'installation ouvrir la vanne et contrôler l'existence de fuites possibles aux points de raccordement. S'il y a une fuite au point de raccordement, refaire le montage correcte pour supprimer la fuite. Ne pas utiliser l'armature sans avoir fait le contrôle des fuites.
- 10- Dans le cas d'une variation de la qualité de l'eau, il faut poser des robinets intermédiaires avec filtre aux entrées de chaque armature lorsque la situation la permet.
- 11- Selon les standards la température maximum d'entrée d'eau chaude dans l'armature est de 75°C. Pour des questions de sécurité ne pas utiliser de l'eau chaude dépassant cette température.
- 12- Après les coupures d'eau lors de la nouvelle alimentation en eau l'air resté dans les tuyaux peut se compresser et dépasser la pression de l'installation. La solution la plus efficace pour protéger le produit contre les chocs est de poser une vanne de baisse de pression sur l'entrée principale.
- 13- Pour que le produit fonctionne de façon correcte la pression dans l'installation et la température de l'eau doivent être dans les valeurs mentionnées dans les instructions de montage.
- 14- Les appareils raccordés au réseau d'eau par tuyaux flexibles, doivent être installés avec les flexibles neufs fournis. Les anciens flexibles ne doivent pas être réemployés.
- 15- Les produits de Class III, avec une source d'alimentation séparée, doivent être utilisés uniquement avec le transformateur fourni.

2. Points auxquels il faut faire attention pendant le transport et l'entreposage

- 1- Les produits doivent être protégés suffisamment lors du transport et de l'entreposage contre les chocs. Lors de l'entreposage et lors de l'attente des produits avant le montage il faut prévoir des zones de stockage fermées dont la température ne baissera pas en dessous de 15°C.
- 2- Les produits emballés doivent être protégés contre la pluie, l'eau, l'humidité, la poussière et le feu qui peuvent apporter des dommages au produit et à l'emballage des produits.
- 3- Il ne faut pas entasser de façon extrême les produits les uns sur les autres et ne pas autoriser l'écrasement des emballages du produit. Prendre des précautions contre les renversements et les chutes.

3. Conseils d'utilisation et d'entretien

- 1- Ne pas utiliser les produits de nettoyage apportant des dommages au placage du produit comme les produits de nettoyage avec contenu en acide, liquide détartrant, nettoyants avec acide chlorique et nettoyant poussière, eau de javel, détartrants contenant de l'acide sulfurique, acide nitrique, acide hydrochlorique et autres acides, produits nettoyant contenant des blanchisseurs à base de chlore, produits contenant du vinaigre et de l'acide de vinaigre. Dans le cas d'utilisation de ces produits chimiques de ce type pour le nettoyage général des zones où se trouve l'armature il faut bien aérer l'endroit, ne pas soumettre les armatures aux vapeurs de ces produits chimiques. Lors du nettoyage de l'armature il ne faut pas utiliser les produits abrasif / rayant comme les hérissons, les éponges dures. Nettoyer les surfaces des armatures avec un chiffon et l'eau avec du savon et sécher.
- 2- Sur les armatures ayant des surfaces plates l'eau se dépose plus que sur la surface des armatures avec inclinaisons pour cette raison il faut les nettoyer et sécher plus régulièrement.

3- L'embout à mousser de l'armature mélange l'eau avec l'air pour assurer une fluidité une économie d'eau, retient à l'aide des filtres spéciaux les particules venant de l'installation et / ou de l'eau. Pour cette raison, il faut démonter l'embout à mousser chaque mois et le nettoyer, de cette façon la diminution de la fluidité de l'eau en raison l'obstruction sera prévenue. Lors du nettoyage et du montage de l'embout à mousser faire attention à ne apporter pas de dommage aux pièces et à l'ordre de pose des pièces.

4- Afin de prévenir les obstructions des paumes de douches dues au tartre, ces paumes de douches qui ont la propriété de se nettoyer facilement peuvent être nettoyées à la main afin d'éliminer les déformations potentielles.

5- Les flexibles de la douche peuvent être endommagés en raison des torsions ou des enroulements extrêmes. Ne pas tirer de façon soudaine et / ou avec force sur les flexibles de douche. Ne pas marcher sur les flexibles de douche.

6- Ne pas exposer les produits avec peinture aux rayons du soleil et aux ultraviolets qui peuvent les jaunir / faire perdre la couleur.

7- Certaines caractéristiques données dans la notice de montage peuvent ne pas être valable pour toutes les séries d'armature.

8- La robinetterie ne doit pas être utilisée pour des fonctions au-delà de son intention originale. Ne pas suspendre d'objets sur les becs, ou autres éléments, des mitigeurs encastrés, ne pas utiliser le produit comme poignée de maintien sous la douche etc.

9- Les produits de ménage etc. qui risquent de propager des gazes corrosives ne doivent pas être stockés dans (ou sous) le meuble de salle de bains.

10- Puisque l'alimentation de générateur pourra causer à des fluctuations soudaines à la tension, cela peut provoquer des erreurs aux fonctions du produit. Le produit n'est pas approprié pour être utilisé avec l'alimentation continue de générateur sauf l'utilisation de générateur aux ruptures électriques. Pour que les fonctions du produit puissent fonctionner correctement, il doit être alimenté par l'électricité de réseau.

11- Le produit assure les exigences de norme de comptabilité électromagnétique avec ses composants. L'extension du câble d'adaptateur de ces composants en coupant pour une raison quelconque rend le produit ouvert aux effets électromagnétiques et empêche le bon fonctionnement du produit. L'adaptateur doit être utilisé en sa forme originale.

12- Ce produit peut être utilisé par des enfants âgés de 8 ans et plus et des personnes ayant des capacités physiques, sensorielles ou mentales réduites ou qui manquent d'expérience et de connaissances, à condition qu'ils soient encadrés en conséquence ou qu'on leur explique comment utiliser le produit en toute sécurité et qu'ils comprennent les risques encourus.

13- Les enfants ne doivent pas jouer avec le produit. Le nettoyage et l'entretien ne doivent pas être effectués par des enfants sans surveillance.

14- Le câble d'alimentation ne peut pas être remplacé. Si ce câble est endommagé, l'appareil doit être mis au rebut.

4. Conditions de garantie

1- La durée de la garantie débute à la date de livraison du produit et cette durée est de 10 (dix) ans pour les robinets et de 5 (cinq) ans pour systèmes de douche. La durée de garantie des composants électroniques des robinets électroniques qui sont inclus dans la gamme de produits est de 2 (deux) ans et durée de garantie des revêtements spéciaux (noir, or, cuivre, nickel brossé, or rose, etc.) est de 5 (cinq) ans.

2- La totalité du produit y compris toutes les pièces des produits sont garanties par la société contre les défauts de production.

3- Les pannes dues au montage, à l'utilisation du produit en contradiction avec les instructions de la notice d'utilisation et de montage et de l'intervention pour la maintenance/réparation sont hors de la garantie.

5. Cas non couverts par la garantie

Les cas mentionnés ci-dessous sont hors de la garantie.

1- Pannes dues en raison d'utilisation contraire aux éléments contenus dans la notice d'utilisation et de montage, le catalogue technique du produit.

2- Pannes dues au montage, maintenance, réparation et démontage réalisés par des personnes incompetentes.

3- Pannes causées par le fait de ne pas utiliser les produits complémentaires (robinet d'intervalle avec filtre....) qui sont fournis avec le produit ou recommandés dans les instructions de montage et les manuels d'utilisation lors du montage du produit.

4- Les défauts sur les surfaces et autres dommages survenus après la livraison au client lors du transport et lors entreposage de longue durée sur le lieu de construction de façon contraire aux conditions mentionnés.

5- Les déformations lors de rénovations devant être effectués dans le lieu d'utilisation.

6- Les pannes causées sur le revêtement du produit et dans le cartouche par la vapeur des chimies corrosives et des produits similaires dans les lieux et par l'aération insuffisante.

7- Pannes et dommages pouvant survenir des catastrophes naturelles comme l'incendie, inondations, séisme.

8- Lorsque lors des opérations de nettoyage et de maintenance réalisés par le client sur le produit les règles mentionnées dans la notice de montage et d'utilisation ne sont pas acceptées.

9- Pannes dues en raison d'utilisation de pièces détachées originales Vitra et en cas d'ajout ou d'adaptation sur les produits sans le consentement et information de Vitra.

10- Pannes causées par les conditions hors normes du réseau d'eau général (sable, graviers et particules...) provenant de l'installation et du fait de ne pas utiliser de robinets d'intervalle pour le raccordement, pouvant endommager le produit. Problèmes causés par la tuyauterie et l'installation ou dommages causés par le calcaire.

11- Pannes en raison de l'alimentation en eau en dehors des limites de pression et de températures conseillées dans les standards du système, pannes survenues en raison du gèle.

12- Pannes et dommages venant sur les produits électroniques en raison du changement de voltage soudain.

13- Défauts survenus en raison de la mauvaise utilisation du client même si le cas n'est pas mentionné ici.

14- Sur les produits électroniques les pannes dues aux applications comme la coupe de câble raccordement du câble directement au réseau en coupant la fiche, utilisation de pile de dimension différente en dehors de l'original (utilisation de pile plat de 9V au lieu de 6 piles de 1.5V).

Спасибо за то, что вы выбрали продукцию VitrA. Мы рекомендуем вам внимательно прочитать настоящую инструкцию перед началом установки изделия и сохранить её в качестве руководства по эксплуатации.

1. Рекомендации перед началом сборки и во время монтажа

1- При подготовке к монтажу необходимо учитывать размеры изделия которые указаны в каталоге на продукцию. Пожалуйста, свяжитесь с вашим поставщиком, если Вам необходимы такие технические данные. Убедитесь, что подводные трубы имеют подходящие размеры и диаметры для того, чтобы установить изделия и избежать возможного их повреждения.

2- Прежде чем начать установку смесителей необходимо удалить весь строительный мусор и грязь из подводимых труб и запорных кранов.

3- Наши смесители предназначены для установки и эксплуатации внутри помещений где температура воздуха всегда больше 0°С. Если смеситель не будет использоваться длительное время и/или хранится в неотапливаемом помещении, необходимо заранее полностью удалить из него и шлангов гибкой подводки воду.

4- Во время внутренней отделки помещений, в которой уже установлены смесители и запорная трубопроводная арматура, необходимо принимать меры к защите наружного покрытия изделий. Оксид кальция, известь и другие химические вещества, входящие в состав строительных смесей при взаимодействии с влажным воздухом могут повредить внешнее покрытие изделия. Если смеситель находится в подобных условиях длительное время, то необходимо принять меры по защите его наружного покрытия. Оберните изделие сухой хлопковой тканью в несколько слоёв, и только потом оберните целлофаном.

5- Чтобы обеспечить правильную работу изделия на весь период его эксплуатации и предотвратить попадания в подвижные части картриджей и кран - бус посторонних предметов или других абразивных частиц (песок, окалина, и т.п), которые могут привести к поломке изделия необходимо установить на водопроводные трубы проточные фильтры (не более 100 Микрон) Все дополнительные и вспомогательные элементы, которые входят в комплект поставки изделия должны быть установлены на этапе монтажа.

6- Во время монтажа необходимо использовать разводной ключ с пластмассовым покрытием, чтобы избежать царапин. При отсутствии инструмента с подобным защитным покрытием можно воспользоваться плотным куском ткани или резины обернув его вокруг затяжных гаек или резьбы.

7- Не следует использовать разводные ключи или прикладывать излишнее усилие для монтажа гибкой подводки. Гибкая подводка вкручивается в смеситель без дополнительных затяжных усилий.

8- После установки смесителя откройте запорный кран и проверьте все места соединений на герметичность и отсутствие подтёков. Проведите дополнительную герметизацию в местах стыковок при необходимости. Не используйте смеситель без проверки герметичности всех соединений.

9- Необходимо периодически проводить очистку фильтров очистки воды. Периодичность очистки и промывки установленных фильтров зависит от качества воды в системе водоснабжения.

10- Максимальная температура воды на входе смесителя не должна превышать 75° С. Горячая вода с температурой превышающей такое значение, не должна использоваться с точки зрения безопасности.

11- В результате периодических отключений / возобновлений в подаче водоснабжения в системе возникает избыточное давление или разряжение, что приводит к превышению стандартных показателей давления во время возобновления подачи воды в систему. Наиболее эффективным решением для защиты изделий от такого воздействия является установка редукционного клапана.

12- Для того, чтобы обеспечить бесперебойную работу изделия, значения давления и температуры воды должны быть в пределах ограничений, указанных в инструкции по монтажу.

13- При подключении воды к изделию необходимо соблюдать следующие правила:

- горячая вода слева

- холодная вода справа

Допустимая разница в давлении холодной и горячей воды не должен превышать 10%

14- Изделия, подключаемые к водопроводу с помощью съёмной гибкой подводки, следует использовать с новой подводкой, входящей в комплект поставки. Использовать старую гибкую подводку не рекомендуется использовать повторно.

15- Сенсорные смесители с питанием от батареи должны использоваться только с батареей, входящей в комплект поставки данного изделия.

2. Рекомендации по транспортировке и длительному хранению

1- Во время транспортировки и хранения изделий для них необходимо обеспечить соответствующую защиту от ударов механических повреждений. В случае, если изделия необходимо хранить длительное время до монтажа, то температура внутри складских помещений должна быть не ниже +15° С.

2- Упакованные продукты должны быть защищены от таких внешних воздействий, как, вода, влажность, пыль и огонь которые могут повредить продукт и его упаковку.

3- Места хранения не должны быть перегружены во избежание механической поломки изделий Необходимо соблюдать меры предосторожности от падения и опрокидывания изделий.

3. Рекомендации по использованию и техническому обслуживанию

1- Аэраторы, установленные в изливах смесителей / кранов, встроены для экономии воды и обеспечивают подмес воздуха в струю воды, делая ее более мягкой и ровной создавая приятные ощущения. Ежемесячная очистка сот аэратора должна предотвратить ослабление напора воды из - за засорения. Будьте внимательны при установке частей аэратора после очистки, чтобы не повредить детали и не нарушить последовательность во время повторной сборки.

2- Смесители с плоскими поверхностями следует мыть и сушить чаще, поскольку на ней скапливается больше воды, чем на смесителях с наклонными поверхностями.

3- Жидкие моющие, дезинфицирующие средства, средства для удаления накипи и известковых отложений, в состав которых входит соляная, азотная, уксусная, серная кислота, хлорсодержащие отбеливатели, не должны использоваться с целью очистки и мытья изделий, т.к. они могут повредить наружное покрытие изделия. В случае, если такой тип химических веществ используется для других общехозяйственных целей в помещении, где установлены смесители, краны и т.п., то данное помещение должно регулярно проветриваться, чтобы защитить установленную продукцию от испарений таких химических веществ. Абразивные и царапающие материалы, такие как металлические мочалки, твердые губки для чистки и т.д., не должны использоваться при очистке смесителей. Поверхность следует мыть мыльной водой и насухо вытирать с помощью мягкой ткани.

4- Для устранения засорения форсунок, вызванного появлением известковых отложений на насадках ручных душей с функцией быстрой очистки, необходимо провести по ним рукой несколько раз без применения дополнительных чистящих средств.

5- Избегайте перекручивания шланга ручного душа, это может вызвать повреждение изделия. Избегайте резких и сильных рывков при пользовании шлангом ручного душа не наступайте на него ногами.

6- Изделия с окрашенной поверхностью не должны подвергаться воздействию ультрафиолета и прямого солнечного света в течение длительного времени поскольку данное воздействие может вызвать пожелтение / обесцвечивание декоративного покрытия.

7- Некоторые технические характеристики и замечания, указанные в инструкции по монтажу могут быть специфичными и не актуальными для всех моделей изделий.

8- Изделие должно использоваться только для выполнения своих функций. Не рекомендуется цепляться за наружные части встроенных смесителей, подвешивать ведра на краны и пр.

9- Чистящие средства или химикаты не следует хранить вместе с продуктами, например, под раковиной, в противном случае испарения могут повредить продукты.

10- У сенсорных смесителей питание генератора может привести к внезапным перепадам напряжения, что может вызвать сбой функций изделия. Изделие не пригодно для постоянного питания генератора, за исключением случаев отключения электроэнергии. Для правильного функционирования изделия оно должно питаться от сети.

11- Сенсорный смеситель и его оригинальные запасные части отвечают требованиям директивы об электромагнитном соответствии. В случае отрезания и удлинения по какой-либо причине шнура адаптера, являющегося одним из компонентов изделия, делает его уязвимым к электромагнитным воздействиям и препятствует правильному функционированию. Адаптер следует использовать в его оригинальном виде.

12- Данное устройство может использоваться детьми в возрасте от 8 лет, а также людьми с ограниченными физическими возможностями или теми, кому не хватает опыта и / или знаний, при условии, что они находятся под наблюдением или проинструктированы относительно безопасного использования устройства и понимают связанные с этим опасности.

13- Дети не должны играть с устройством. Очистка и техническое обслуживание детьми должны проводиться только под присмотром.

14- Кабель питания замене не подлежит. Если этот кабель поврежден, устройство необходимо утилизировать.

4. Гарантийные условия

1- Гарантийный срок начинается с даты поставки изделия и составляет 10 (десять) лет для смесителей и 5 (пять) лет для душевых систем. Гарантийный срок на электронные комплектующие сенсорных смесителей, входящих в ассортимент, составляет 2 (два) года, а гарантийный срок на цветные покрытия (черный, золотой, медный, матовый никель, розовое золото и т.д.) составляет 5 (пять) лет.

2- Гарантийные обязательства распространяются как на само изделие, так и на комплектующие входящие в комплект поставки.

3- Дефекты, возникающие в результате сборки и использования изделия вопреки положениям, предусмотренным в инструкциях по сборке и эксплуатации, а также в результате вмешательства в целях технического обслуживания/ремонта, не подпадают под действие гарантии

5. Случаи, на которые не распространяется гарантия

Гарантия производителя не распространяется на следующие случаи:

1- Повреждения, возникшие в результате стихийных бедствий (наводнение, землетрясения, пожара и т.п.).

2- Дефекты поверхности и другие повреждения, возникшие в результате несоблюдения условий хранения, длительного хранения в строительных помещениях или во время транспортировки после доставки товара заказчику.

3- Повреждения, возникшие в результате нарушения правил хранения изделий на складе.

4- Повреждения, возникшие в результате неправильного использования, небрежного обращения неподходящего обслуживания.

5- Повреждения, возникшие в результате некорректной установки или ремонта неуполномоченными для этих работ организациями.

6- Поломки, вызванные нестандартными условиями из общей водопроводной сети (песок, гравий, частицы и т.п., поступающие из - за неиспользования интервальных смесителей для подключения при установке) и повреждение изделия. Проблемы, вызванные трубопроводами и установкой, или повреждения, вызванные кальцификацией.

7- Повреждения, вызванные значительным превышением подаваемого напряжения питания (для сенсорных смесителей)

8- Неисправности, вызванные неиспользованием при сборке изделия вспомогательных деталей, поставляемых вместе с изделием или рекомендованных в инструкциях по сборке и руководствах пользователя.

9- Нарушения покрытия и картриджа продукта, вызванные недостаточной вентиляцией и испарением коррозионных химикатов.

10- Повреждения, возникшие в результате использования агрессивных, едких моющих средств, в состав которых могут входить: кислоты, щёлочи, ацетон, хлорит аммония или абразив.

11- Повреждения, возникшие в результате установки нестандартных запасных частей или замена комплектующих из комплекта поставки без согласования и одобрения компании VitrA.

12- Повреждения, связанные с подачей воды, которая не соответствует диапазону давлений и температур, неправильным подключением воды к изделию, рекомендованному в стандартах, а также связанные с обледенением и промерзанием водопровода.

13- Повреждения, связанные с подачей воды, которая не соответствует диапазону давлений и температур, рекомендованному в стандартах, а также связанные с обледенением и замерзанием.

14- Неисправности, связанные с обрывом кабеля, обрывов штепсельной вилки и подключением кабеля непосредственно к линии, использованием батареек отличного от оригинальных размера (вместо 6 батареек 1.5 В использование плоских батареек 9В).

نشكركم على اختياركم لمنتجات فيترا . نرجو منكم القيام بقراءة دليل الاستعمال هذا بشكل دقيق قبل البدء بتركيب المنتج و الإحتفاظ به للعودة اليه ان استدعت الحاجة مستقبلاً .

1. ما يجب الإنتباه إليه أثناء التركيب و قبله

1. يجب الأخذ بعين الإعتبار القياسات المبينة في الكاتالوج أثناء القيام بتحضير البنية التحتية قبل التركيب . يمكنكم طلب الحصول على المعلومات الفنية من أحد مراكز البيع . يجب ان تكون مخارج التمديدات مناسبة ليتم توصيلها الى خلطات المياه حتى لا تتضرر و تعمل بالشكل المطلوب .
2. يجب القيام بتنظيف التمديدات من الاوساخ و العوالق في أنابيب الإنشاءات الحديثة او التمديدات الجديدة قبل القيام بتوصيل الخلط الى وحدة التمديدات الصحية .
3. يجب ان تتم المحافظة على خلط المياه في بيئة داخلية حتى لا يؤدي تجمد الماء الى تشققها . يجب ان يتم تفريغ الأنابيب و توصيلاتها من المياه قبل تركيب الخلط و ذلك لمنع حدوث التجمد أثناء القيام بالتركيب . يجب ان يتم اغلاق مداخل المياه المؤدية الى الخلط عند عدم استعمال الخلط لمدة طويلة ، يجب ان يتم تفريغ بقايا المياه من الانابيب بشكل تام . تم تصميم خلطات المياه للإستخدام داخل المباني .
4. يجب عدم ترك خلطات المياه مركبة في المباني قيد الإنشاء لمدة طويلة . لأن خلطات البناء ، الكلس و المواد ذات الأساس الإسمنتي تحتوي على الكالسيوم و باتحاد مع الهواء و الرطوبة يقوم بالتأثير سلباً على أسطح الخلطات . إذا كان لا بد من استعمال الخلط داخل البماني قيد الإنشاء فينصح بلقها بواسطة قطعة قماش و تغطية القماش بكيس نايلون للمحافظة عليه .
5. لحماية الخلط من الرمل و ما شابه من مواد قادمة من شبكة المياه عبر التمديدات ، فينصح بتركيب صمام فلتر عند مدخل الخلط . بهذا يكون الخلط محمياص من الأضرار القادمة مع المياه مثل الطين و الرمل و الكتان و الحصى و ما شابه من مواد حصوية .
6. يجب ان يتم استعمال مستلزمات التركيب الآتية مع الخلط في تركيب الخلط .
7. حتى لا يتخرش الخلط أثناء التركيب ، ينصح باستعمال مفاتيح ذات رأس مطاوي . إذا لم يكن هناك امكانية لإستخدام المفاتيح البلاستيكية فينصح بوضع قطعة قماش سميكة على الخلط لحمايته من الخدش .
8. يجب الابتعاد عن استخدام المفاتيح لربط الخرطوم الى الجسم الرئيسي .
9. بعد الانتهاء من توصيلات الخلط يتم فتح الصمام و مراقبة فيما إذا كان هناك تسرب ام لا . إذا كان هناك اي تسرب ، يجب شد نقطة التوصيل بالشكل المناسب . يجب عدم استعمال الخلط اذا لم يتم إجراء اختبار وجود التسرب .
10. إذا لم تكن جودة المياه ثابتة ، فينصح بتركيب حنفيات مع فلتر عند فم كل خلط . يجب ان يتم تنظيف فلاتر الحنفيات الوسيطة بشكل دوري .
11. حسب المعايير ، فإن الحد الأقصى لمدخل الماء الى الخلط هي 75 درجة مئوية . يجب الابتعاد عن تمرير المياه التي تفوق درجتها هذه الحد و ذلك لضمان السلامة .
12. بعد انقطاع المياه ، و عند اعادة ضخها في المنظومة ينشأ ضغط عالي سببه انحباس الهواء في الأنابيب . ان افضل حل لحماية الخلط بهذا الضغط هو تركيب صمام مخفض للضغط عند المدخل الرئيسي .
13. لضمان عمل الخلط بالشكل المناسب و السليم ، يجب ان يكون ضغط المياه و حرارتها متراوحاً بين القيم المبينة في تعليمات تركيب المنتج .
14. يجب استخدام الأجهزة المتصلة بأنابيب المياه مع مجموعات الخراطيم القابلة للفصل مع مجموعات الخراطيم الجديدة المرفقة . يجب عدم إعادة استخدام مجموعات الخراطيم القديمة .
15. يجب استخدام الأجهزة من الفئة III التي تعمل بوحدة إمداد طاقة قابلة للفصل فقط مع وحدة الإمداد بالطاقة المرفقة مع هذا الجهاز .

2. ما يجب الإنتباه عليه أثناء النقل – التخزين

1. يجب ان يكون الخلط محمياً من تلقي الضربات أثناء نقله و تخزينه . عند الإنتظار لمدة قبل التركيب و التخزين ، يجب ان يتم و ضعه في محيط لا تقل حرارته عن 15 درجة مئوية و فيمكنن مغلق .
2. يجب حماية مغلفات المنتجات من الماء ، الرطوبة ، الغبار و النار او اي من المواد المضرة بالمغلفات .
3. يجب عدم تكديس المنتجات فوق بعضها البعض و و يجب عدم السماح بتخريب مغلف المنتج . يجب أخذ الإحتياطات اللازمة لمنع وقوعه و سقوطه .

3. نصائح الإستعمال و الرعاية

1. يجب الابتعاد عن استعمال مواد التنظيف التي تقوم بتخريش تلبيسة المنتج مثل منتجات التنظيف المحتوية على الأحماض ، محلات الكلور ، روح الملح و منظفات الغبار ، ماء الطين ، المنتجات المحتوية على الكبريتات ، حمض النتريك ، حمض الكلور و الأحماض الأخرى و المحلات روح الملح و منظفات الغبار ، ماء الطين ، المنتجات المحتوية على الكبريتات ، حمض النتريك ، حمض الكلور و الأحماض الأخرى و المحلات الكلسية ، المنظفات المحتوية على الكلور او الخل او حمض الخل . عند استخدام هذه الانواع من المنظفات في محيط الخلط ، يجب ان تتم تهوية المكان بشكل جيد لأن بقاء الخلط معرضاً لبخار هذه المواد الكيماوية يؤثر عليه سلباً . يجب الابتعاد عن استعمال الليفة الخشنة \ المخدشات و المخرشات ، لتنظيف الخلط . يتم تنظيف الخلط بواسطة قطعة قماش ناعمة مع الصابون .
2. يجب ان يتم تنظيف الخلطات ذات الاسطح المستوية بنسبة أكبر من الخلطات المستديرة الملفوفة لأن الماء يترام عليه بشكل أكبر .

3. ان المهويات الموجودة عند فم الخلاط تقوم بخلط المياه مع كمية مناسبة من الهواء مما يجعل تدفقه انسيابياً أكثر مما يشكل توفيراً في استعمال المياه . كما ان القطع الصغيرة من المواد المختلفة القادمة مع المياه يتم إيقافها بمساعدة المصافي الصغيرة الخاصة الموجودة بداخله . لذلك فإن القيام بفك المهويات و تنظيف المصافي كل فترة يمنع انسدادها و تضررها . يجب الانتباه الى عدم تضرر القطع المفككة عند تركيبها .
4. يمكن ان لا تكون التعليمات المبينة لعملية التركيب مناسبة لكل المنتجات من ناحية الخصائص الفنية .
5. لمنع حدوث التكلس في راس الدوش و منع انسداده ، ينصح بالقيام بتنظيف الأجزاء الخارجة للماء لمنع دوث التكلس و التخريش و العطب فيها .
6. ان الضغط الزائد الذي قد يتسبب بالتواء الخرطوم المعدني للدوش يسبب ضرراً بالمنتج . ينصح بعدم القيام بسحب و\او شد الخرطوم المعدني بقوة . يجب الانتباه الى عدم الدس على الخرطوم المعدني .
7. ينصح بعدم ترك المنتجات المصبوغة معرضة لفترات طويلة للأشعة فوق البنفسجية لأن ذلك يسبب لها للإصفرار \ بهتان اللون.
8. يرجى عدم استخدام المنتج في غير وظائفه أو التشبث و التعلق بمخرج المنتجات المدفونة ، كذلك عدم تعليق الدلاء (جمع دلو) على الحوض أو أطراف مخر ج الحمام ، إلخ.
9. يجب عدم تخزين عوامل التنظيف أو المواد الكيميائية مع المنتجات ، على سبيل المثال تحت خزانة الحوض ، وإلا فقد يؤدي التبخر إلى تلف المنتجات.
10. لأن تغذية المولد قد تنتج عن تموجات مفاجئة في التيار لذلك قد يحدث خطأ في وظائف المنتج. المنتج غير مناسب لاستخدامه بشكل دائم مع تغذية مولد باستثناء حالات انقطاع التيار الكهربائي. من أجل تحقيق وظائف المنتج بشكل صحيح يجب تغذيته عن طريق الشبكة الكهربائية.
11. عناصر المنتج الاصلية توفر متطلبات المعايير القياسية للتوافق الكهرومغناطيسي. قص كابل محول المنتج وتمديد لاس سبب من الاسباب وهو احدى هذه العناصر يؤدي الى جعل المنتج عرضة الى التأثيرات الكهرومغناطيسية ويحول دون تأدية وظائف المنتج بشكل صحيح. يجب استخدام المحول في وضعيته الاصلية.
12. يمكن استخدام هذا الجهاز من قبل الأطفال الذين تبلغ أعمارهم 8 سنوات فما فوق والأشخاص الذين يعانون من ضعف القدرات الجسدية أو الحسية أو العقلية أو أولئك الذين يفتقرون إلى الخبرة والمعرفة ، بشرط أن يكون قد تم الإشراف عليهم أو توجيههم فيما يتعلق بالاستخدام الآمن للجهاز وفهم المخاطر المتضمنة
13. يجب ألا يلعب الأطفال بالجهاز يجب ألا يتم التنظيف والصيانة من قبل الأطفال دون إشراف.
14. لا يمكن استبدال كابل الطاقة. في حالة تلف هذا الكابل، يجب التخلص من الجهاز.

4. شروط الكفالة

1. تبدأ مدة الضمان من تاريخ تسليم المنتج؛ وهذه المدة هي 10 (عشر) سنوات للحفريات و 5 (خمس) سنوات بالنسبة لأنظمة الاستحمام. مدة الضمان للوحدات الإلكترونية المدمجة في الصنبور الإلكتروني هي 2 (سنتان) ، ومدة الضمان للطلاء الخاصة (الأسود والذهبي والنحاس والنيكل المصقول والذهب الوردي وما إلى ذلك) هي 5 (خمس) سنوات.
2. كل قطع منتجاتنا مكفولة من قبل شركتنا بشكل شامل ضد أخطاء التصنيع .
3. ان الاعطال التي تحدث في المنتج نتيجة التركيب بشكل غير متوافق مع التعليمات الواردة في دليل الاستعمال او نتيجة محاولة إصلاح و صيانة الخلاط بشكل شخصي ، تقع خارج نطاق الكفالة .

5. المواضيع الواقعة خارج نطاق الكفالة

- ان المواضيع المبينة أدناه تقع خارج نطاق الكفالة .
1. الاعطال الناتجة عن الاستعمال الخاطئ الغير متوافق مع التعليمات المبينة في دليل الاستعمال و التركيب ، الكاتالوج التقني للمنتج .
 2. الأخطاء التي يقوم بها الاشخاص الغير مخولون بالتعامل مع المنتج و صيانتة .
 3. الأعطال الناجمة عن عدم استخدام الملحقات المساعدة (المحسب الفاصل مع الفلتر....) المرفقة مع المنتج أو الموصى بها في تعليمات التجميع وأدلة المستخدم أثناء تجميع المنتج.
 4. الأخطاء و الآثار السلبية الناشئة على الأسطح بسبب تركها في مواقع تخزين غير ملائمة او تم شحنها و إبقائها في مواقع الإنشاءات لفترة طويلة .
 5. الإهتراء و التحدش الذي قد يصيبه بسبب أعمال التعديلات في محيطه .
 6. تعرضه لبخار المواد القلوية و الحمضية نظراً لوجوده في محيط يتم التعامل مع هذه المواد فيه وما قد يتسبب به من أضرار .
 7. الأضرار التي قد تحدث بسبب الحرائق و الزلازل او السيول او اي من الآفات الطبيعية
 8. عدم تقييد الزبون بالتعليمات الواردة في دليل استعمال المنتج و التي تخص عملية التركيب و التنظيف و الصيانة .
 9. الأعطال الناتجة عن عدم استخدام قطع الغيار المصنعة من قبل فيترا او القطع التي تتم إضافتها من ان يكون مصادقاً عليها من قبل فيترا .
 10. الأعطال الناتجة عن الظروف غير القياسية لشبكة المياه العامة (مثل :الرمال و الحصى و الجزيئات و غيرها القادمة من التركيب بسبب عدم استخدام الصنابير الفاصلة للتوصيل) و تسبب تلف المنتج. كذلك المشاكل الناجمة عن الأنابيب و التركيب أو الأضرار الناجمة عن التكلس.
 11. ضخ المياه بدرجات حرارة و ضغط تفوق الدرجات التي ينصح بها او المشاكل التي يتسبب بها التجمد .
 12. الأعطال الناشئة في المنتجات الإلكترونية التي كون سبب العطل فيها التغيير المفاجئ في شدة التيار الكهربائي .
 13. كل الأخطاء التي يقوم بها المستخدم حتى و لو لم يتم ذكرها هنا .
 14. الأعطال الناتجة في المنتجات الإلكترونية بسبب تطبيقات مثل قطع الكابل، فصل القابس و ايصال الكابل الى الخط مباشرة، استخدام بطاريات غير الاصلية بمقاسات مختلفة (استخدام بطارية مسطحة ب 9 فولت بدلا من 6 قطع بطارية ريفية 1.5 فولت)

ti ringraziamo per aver scelto i prodotti a marchio Vitra. Ti invitiamo a leggere con attenzione il presente manuale prima di provvedere all'installazione del prodotto, e a conservarlo come guida di riferimento per qualsiasi esigenza futura.

1. Punti da tenere in considerazione prima e durante il montaggio

1- Durante la fase di preparazione dell'infrastruttura che precede il montaggio, occorre considerare le dimensioni del prodotto da montare così come specificato nel catalogo tecnico. Se dovessi necessitare di tali specifiche tecniche, rivolgiti al tuo rivenditore. Assicurati che i beccucci di installazione abbiano le dimensioni adeguate a consentire un montaggio appropriato del rubinetto senza danneggiarlo.

2- È bene rimuovere qualsiasi impurità residua all'interno della tubatura e dei raccordi prima di allacciare i rubinetti all'impianto sanitario presso i nuovi edifici e gli spazi in fase di ristrutturazione.

3- È necessario conservare i rubinetti in ambienti chiusi per evitare la formazione di spaccature dovute al congelamento dell'acqua. Come misura contro il rischio di congelamento in prossimità della nuova installazione nel periodo che intercorre tra lo spurgo dell'impianto e la messa in funzione dei prodotti, è necessario drenare completamente l'acqua all'interno dell'impianto. Analogamente, è necessario sigillare la presa d'acqua principale e procedere al drenaggio completo dell'acqua anche nei casi in cui i rubinetti rimangano a lungo inutilizzati. I nostri rubinetti sono progettati per l'uso in ambienti interni.

4- Non lasciare il rubinetto montato all'interno di edifici in costruzione per periodi prolungati. A contatto con l'umidità dell'aria, l'ossido di calcio e altre sostanze chimiche simili contenute nei materiali a base di malta, calce e cemento potrebbero danneggiarne le superfici. Se il rubinetto deve permanere all'interno dell'ambiente in costruzione per un lungo periodo, proteggi il prodotto avvolgendolo in uno strato di tessuto e successivamente nel cellophane.

5- Al fine di proteggere i prodotti dalla sabbia e da altri corpi estranei simili portati dall'impianto e dalla rete idrica, è necessario installare una valvola di filtraggio in corrispondenza della bocchetta di ingresso dell'impianto principale e dell'impianto della singola unità abitativa. In virtù di tale valvola, si potranno impedire i possibili malfunzionamenti provocati da particelle quali sabbia, fango, cotone, ghiaia, ecc. portati dall'impianto.

6- Per montare il prodotto è necessario utilizzare tutti gli accessori forniti in dotazione o raccomandati nelle istruzioni di montaggio.

7- In fase di montaggio è consigliabile utilizzare chiavi regolabili rivestite di plastica per evitare graffi sui prodotti. Nel caso non si utilizzino chiavi plastificate, è necessario proteggere l'elemento da montare avvolgendolo con un pezzo di stoffa spesso.

8- Le chiavi non devono essere utilizzate per montare i tubi di collegamento flessibili sul corpo principale.

9- Dopo aver allacciato i rubinetti all'impianto, apri la valvola per verificare la presenza di eventuali perdite in corrispondenza dei punti di raccordo del rubinetto. Qualora ve ne fossero, occorre eseguire un'adeguata sigillatura dei giunti. Non utilizzare il rubinetto prima di averne verificato la tenuta in ogni sua parte.

10- Nei casi in cui non sia possibile assicurare costantemente la qualità dell'acqua, è necessario installare ove possibile su ciascuna presa del rubinetto dei filtri di depurazione provvisori, che andranno puliti periodicamente.

11- In conformità con le normative, la temperatura di afflusso dell'acqua nei rubinetti non deve superare i 75°C; per ragioni di sicurezza, non va utilizzata acqua calda con temperature eccedenti tale valore.

12- In caso di interruzione dell'approvvigionamento idrico, l'aria intrappolata all'interno delle tubature potrebbe comprimersi fino a superare la pressione standard dell'impianto durante il ripristino dell'afflusso d'acqua. La soluzione più efficace per proteggere i prodotti da tale effetto consiste nell'installazione di un riduttore di pressione sulla presa principale.

13- Per garantire un funzionamento ottimale del prodotto, i valori della pressione dell'impianto e della temperatura dell'acqua devono rientrare nell'intervallo specificato nelle istruzioni di montaggio.

14- Le apparecchiature collegate alle condotte idriche per mezzo di tubi flessibili rimovibili vanno utilizzate insieme ai nuovi set di tubi flessibili forniti in dotazione. I vecchi set non devono essere riutilizzati.

15- I componenti di Classe III dotati di alimentatore rimovibile devono essere utilizzati esclusivamente con l'alimentatore fornito con il presente dispositivo.

2. Punti da tenere in considerazione durante la spedizione e lo stoccaggio

1- Durante la fase di spedizione e stoccaggio è necessario fornire ai prodotti un'adeguata protezione dagli urti. Nel caso in cui si manifesti l'esigenza di immagazzinare e conservare i prodotti prima del montaggio, allora è necessario predisporre aree di stoccaggio al coperto dove la temperatura ambientale non scende al di sotto dei 15 °C.

2- È necessario proteggere i prodotti imballati da contingenze quali precipitazioni, umidità, polveri e fuoco, che potrebbero danneggiare sia il prodotto che l'imballaggio.

3- I prodotti non devono essere impilati l'uno sull'altro in modo da non sovraccaricarli e schiacciarne gli imballaggi. Occorre adottare le dovute precauzioni in caso di ribaltamento e caduta dei colli.

3. Raccomandazioni d'uso e di manutenzione

1- Liquidi contenenti acido e disincrostanti, acido cloridrico e depolveratori, candeggina, detersivi con acido solforico, acido nitrico, acido muriatico e altri acidi e disincrostanti/anticalcare, agenti sbiancanti a base di cloro, aceto e acido acetico non devono essere utilizzati per scopi di pulizia in quanto dannosi per il rivestimento del prodotto. Nel caso in cui tali sostanze chimiche vengano impiegate nei locali in cui è installato il rubinetto per scopi domestici generici, occorre arieggiare bene l'ambiente e proteggere i rubinetti dai vapori delle suddette sostanze. Per pulire il rubinetto non devono essere utilizzati materiali con effetti abrasivi come lana d'acciaio o pagliette, spugne dure, ecc. Le superfici del rubinetto devono essere pulite e asciugate usando acqua e sapone e un panno morbido.

2- I rubinetti con superfici piane necessitano di una pulizia e un'asciugatura più frequenti, perché su di essi si accumula una maggiore quantità d'acqua rispetto a quelli con superfici inclinate.

3- Gli aeratori situati nei beccucci dei rubinetti agevolano il risparmio idrico attraverso l'erogazione di un getto più compatto e regolare, che avviene miscelando l'acqua con un certo quantitativo d'aria e intrappolando le microparticelle portate dall'impianto e/o derivanti dall'acqua tramite filtri speciali. Pertanto, la rimozione e la pulizia mensile dei pori degli aeratori dovrebbe prevenire la riduzione del flusso idrico dovuta a ostruzioni. Durante la pulizia e il rimontaggio degli aeratori, occorre prestare attenzione a non danneggiarne le parti e a non scombinarne la sequenza di montaggio.

4- Per evitare ostruzioni dovute a calcificazione in corrispondenza delle doccette e dei soffioni dotati di funzionalità di pulizia semplificata, è possibile prevenire la conseguente deformazione del prodotto pulendo manualmente gli ugelli.

5- Un utilizzo incauto del flessibile della doccetta, tale da causarne eccessive torsioni o rotazioni, potrebbe danneggiare il prodotto. Non applicare una forza di trazione improvvisa e/o eccessiva al flessibile della doccetta, e non calpestarlo.

6- I prodotti verniciati non devono essere esposti ai raggi UV e solari per periodi prolungati, perché l'esposizione potrebbe causarne l'ingiallimento o lo scolorimento.

7- Alcune caratteristiche tecniche specificate e illustrate nelle istruzioni di montaggio potrebbero non essere valide per tutte le serie di rubinetti.

8- Il prodotto non deve essere utilizzato per scopi diversi dalla sua funzione. Non aggrapparsi ai terminali di uscita dei prodotti da incasso, non appendere secchi ai terminali di uscita del lavandino o del bagno, ecc.

9- Consigliamo di non riporre detersivi o altre sostanze chimiche insieme ai prodotti, ad esempio sotto il mobile lavabo, altrimenti la loro evaporazione potrebbe danneggiarli.

10- L'alimentazione tramite generatore potrebbe provocare improvvisi sbalzi di tensione e conseguenti malfunzionamenti del prodotto. Quest'ultimo non è compatibile con un uso permanente del generatore, che va utilizzato solo in caso di interruzioni di corrente. Affinché funzioni nel modo corretto, il prodotto deve essere alimentato dalla rete elettrica.

11- Il prodotto soddisfa i requisiti della norma di compatibilità elettromagnetica con i suoi componenti originali. L'utilizzo di una prolunga da questi componenti per qualsiasi motivo rende il prodotto vulnerabile alle interferenze elettromagnetiche e ne impedisce un corretto funzionamento. L'adattatore deve essere usato con la guarnizione originale.

12- Il presente dispositivo può essere utilizzato da bambini al di sopra degli 8 anni di età e da persone con ridotte capacità motorie, sensoriali o mentali, nonché da coloro che mancano di esperienza e conoscenze, a condizione che sia stata impartita loro un'adeguata supervisione o formazione sull'utilizzo in sicurezza del dispositivo, e che abbiano compreso i rischi e i pericoli connessi.

13- I bambini non devono giocare con il dispositivo, né eseguire operazioni di pulizia o manutenzione senza la supervisione di un adulto.

14- Il cavo di alimentazione non può essere sostituito. Se questo cavo è danneggiato, il dispositivo deve essere rottamato.

4. Condizioni di garanzia

1- Il periodo di garanzia decorre dalla data di consegna del prodotto, ed equivale a 10 (dieci) anni per i rubinetti e 5 (cinque) anni per i sistemi doccia. Il periodo di garanzia delle unità elettroniche dei rubinetti elettronici inclusi nella gamma di prodotti è di 2 (due) anni, mentre quello dei rivestimenti speciali (nero, oro, rame, nichel spazzolato, oro rosa, ecc.) è di 5 (cinque) anni.

2- L'intero prodotto, in tutte le sue parti, è coperto dalla garanzia della nostra azienda contro i difetti di fabbricazione.

3- I vizi derivanti dal montaggio e dall'uso del prodotto in contrasto con le disposizioni stabilite nelle istruzioni di montaggio e per l'uso, nonché da interventi a fini di manutenzione/riparazione, non sono coperti dalla portata della garanzia.

5. Casi non coperti dalla garanzia

Quanto esposto di seguito non è coperto dalla garanzia.

1- Difetti derivanti da un utilizzo del bene (prodotto) in contrasto con le disposizioni stabilite nel catalogo tecnico, nelle istruzioni di montaggio e per l'uso.

2- Difetti e guasti del prodotto dovuti a montaggio, riparazione, manutenzione e smontaggio eseguiti non a regola d'arte da persone non autorizzate.

3- Malfunzionamenti causati dal mancato utilizzo dei prodotti ausiliari (presa d'acqua con filtro..) forniti con il prodotto o raccomandati nelle istruzioni di montaggio e nei manuali per l'utente durante l'assemblaggio del prodotto.

4- Difetti superficiali e altri danni derivanti dal mancato rispetto delle condizioni di stoccaggio e dallo stoccaggio prolungato presso il cantiere edile, nonché durante il trasporto dopo la consegna del bene al cliente.

5- Deformazioni che potrebbero verificarsi durante i lavori di ristrutturazione eseguiti nell'area di utilizzo.

6- Danni al rivestimento e alla cartuccia del prodotto causati da una ventilazione insufficiente e dall'evaporazione di sostanze chimiche corrosive e agenti simili nell'ambiente.

7- Guasti e danni causati da calamità naturali quali incendi, alluvioni, terremoti, ecc.

8- Mancato rispetto delle norme riportate nelle istruzioni di montaggio e per l'uso durante le operazioni di pulizia e manutenzione eseguite dal cliente.

9- Difetti derivanti dal mancato utilizzo di parti di ricambio originali Vitra e da aggiunte o adattamenti al prodotto effettuati a insaputa o senza il consenso di Vitra.

10- Guasti che danneggiano il prodotto, causati dalle condizioni fuori standard della rete idrica generale (sabbia, ghiaia e particelle, ecc.) che provengono dall'installazione a causa del mancato utilizzo della presa d'acqua per la connessione. Problemi causati dalla tubazione, dall'installazione o danni causati dalla calcificazione.

11- Danni derivanti dalla fornitura di acqua all'impianto al di fuori dell'intervallo di pressione e temperatura raccomandato dagli standard, nonché dalla formazione di brina e ghiaccio.

12- Guasti e danni causati ai prodotti elettronici da improvvisi sbalzi di tensione.

13- Difetti derivanti da qualsiasi uso improprio da parte del cliente, anche se non specificato nel presente documento.

14- Difetti derivanti dall'utilizzo di applicazioni nei rubinetti elettronici quali il taglio dei cavi, il collegamento diretto dei cavi alla linea elettrica tramite la rimozione della spina, l'utilizzo di batterie di tipo diverso rispetto al componente originale del prodotto.

VitrA Turkey
Büyükdere Caddesi Ali Kaya Sokak
No:5 34394 Levent / İstanbul
Phone: +(90 212) 350 80 00
Fax: +(90 212) 350 85 80
www.vitra.com.tr

VitrA

VitrA UK
Park 34 Collet Way,
Didcot Oxon Ox11 7WB, UK
Phone: +(44 1235) 750 990
www.vitra.co.uk

VitrA Bad GmbH
Agrippinawerft 24
50678 Cologne, Germany
Phone: +49 (0) 221 / 27 73 68-0
www.vitra-bad.de

VitrA France
Z.I. Le Poirier - CS 80019
F - 28132 Nogent Le Roi
CEDEX France
Phone: +33 (0)2 37 38 69 92
www.france.vitrabathrooms.com

VitrA Santechnika LLC
9, Varshavskoe Highway, Bldg.1
Danilovskaya Manufactory
Block 'Sitsevy', Entr. 4, 1st Floor
Moscow 117105 Russia
Phone: +7 (495) 221 76 11
www.vitra-russia.ru

VitrA Bathrooms - Eczacıbaşı
Building Materials Trading L.L.C
2020 Building Al Quoz 3 Showroom No 7
Sheikh Zayed Road Dubai / UAE
Phone: +971 (4) 547 80 45
www.vitraglobal.com

VitrA Italy
Via Ghiarola Vecchia 15
41042 Fiorano Modenese (MO) - Italy
Phone: +39 0536 1818100
www.italy.vitrabathrooms.com

VitrA Bathrooms
Vikas Centre, First Floor, F001-F003
S.V Road, Santacruz West
Mumbai 400054 India
Phone: +91(22) 40131696
Phone: +91(22) 40149729
www.vitra-india.com

Product

Type : Faucet
Brand : VitrA
Model : Specified on product pack

Product Code:

Invoice No :

Dealers's Stamp:

.....
.....
.....



**RACCOLTA
CARTA**



Adresses sur quefairedemesdechets.fr

